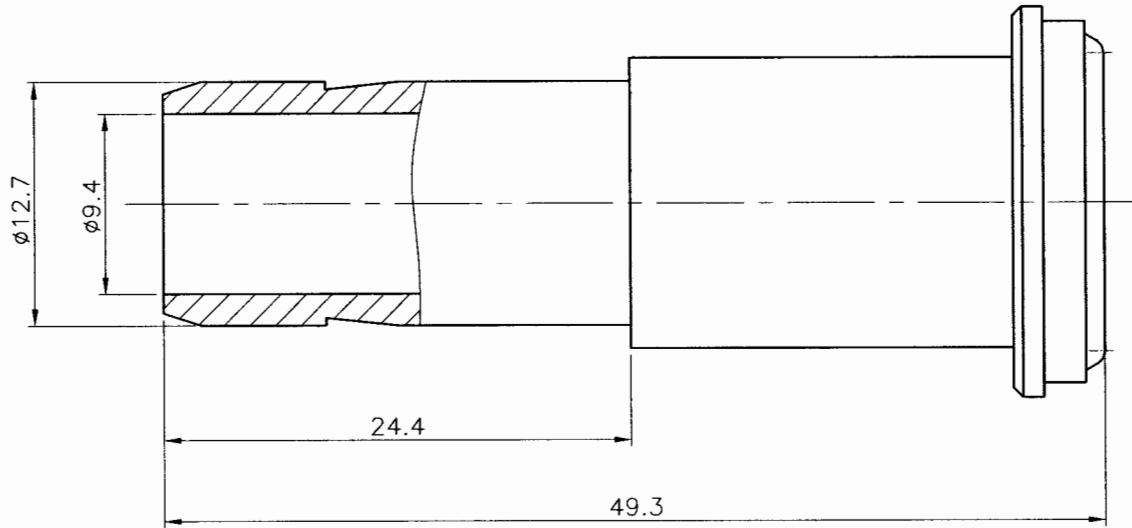


REV. 0 SBT-APP DWG. NO.

| REV. LET. | REVISION RECORD | DATE      | BY         | CHECK'D |
|-----------|-----------------|-----------|------------|---------|
| 0         | FIRST ISSUE     | '07.05.22 | JIN HO KIM |         |



NOTE  
1. THIS DRAWING IS APPROVAL A DRAWING.

|   |                                      |               |                      |  |
|---|--------------------------------------|---------------|----------------------|--|
| <b>TK corporation</b>                               |                                      |               |                      |  |
| TITLE<br>VCR Face Seal Fitting<br>1/2" TUBE ADAPTER |                                      |               |                      |  |
| DRAWN<br><i>jenho.k</i><br>2007.05.22               | CHECKED<br><i>이선용</i><br>2007. 5. 22 | CHECKED       | APPR'D<br><i>김진호</i> |  |
| UNIT<br>mm  |                                      | SCALE<br>NONE | SIZE<br>A4           |  |
| SHT. NO.<br>OF                                      | DWG. NO.<br>SBTA-APP                 | REV.<br>0     |                      |  |