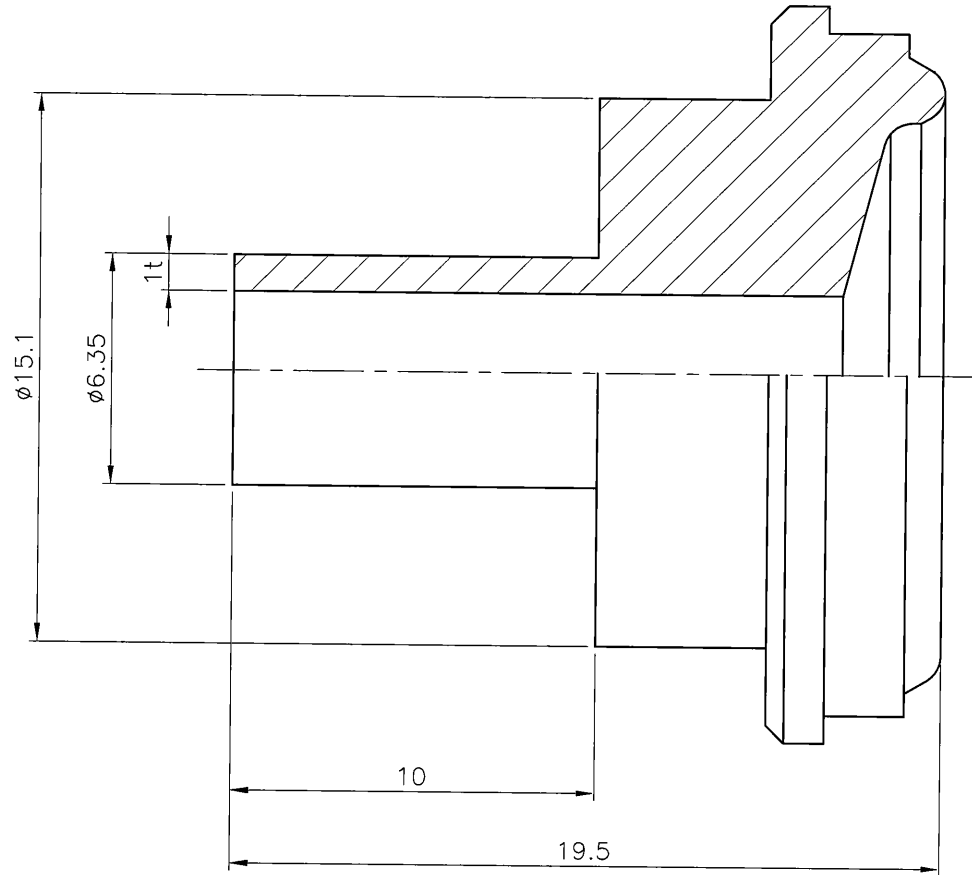


REV. LET.	REVISION RECORD	DATE	BY	CHECK'D	CHECK'D	APPR'D
△						



NOTE
1. 본 도면은 승인용 도면이다.

Check	Ordering Number	Body Material	Grade
	S8X4SG10	SUS316L Single Melt	BA
	S8X4SG10-P	SUS316L Single Melt	EP
	D8X4SG10	SUS316L Double Melt	BA
	D8X4SG10-PX	SUS316L Double Melt	EP

TKSCT corporation

TITLE
METAL FACE SEAL FITTINGS
1/2"X1/4" FEMALE REDUCING SHORT GLAND

DRAWN 태광SCT 2011.11.11 정순우	CHECKED 태광SCT 2011.11.11 정해용	CHECKED	APPR'D TKSCT 2011.11.11 김종복
UNIT mm	SCALE NONE	SIZE	
SHT. NO. 1 OF 1	DWG. NO. 8X4SG10-APP	REV. △	

"X" NUMBER	
---------------	--