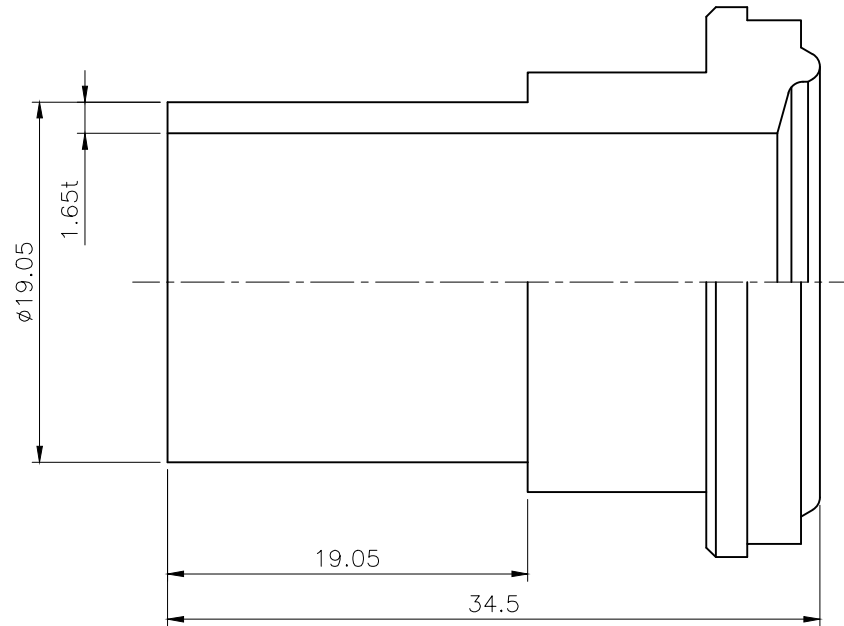


REV. LET.	REVISION RECORD	DATE	BY	CHECK'D	CHECK'D	APPR'D
2	ECN10-141 (Ordering No. 변경)	2010-08-11	S.Y.Jung	H.Y.Jung	H.S.Kim	H.H
3	Ordering Number 추가	2021-03-05	J.Y.Jung	J.Y.Kim		Y.K.Kim



Check	Ordering Number	Body Material	Grade
	S12SG19	316L Stainless Steel	BA
	S12SG19-P	316L Stainless steel	EP
	D12SG19	316L Stainless Steel Remelted	BA
	D12SG19-PX	316L Stainless Steel Remelted	PX
	H12SG19	Hastelloy C-22	BA
	H12SG19-P	Hastelloy C-22	EP

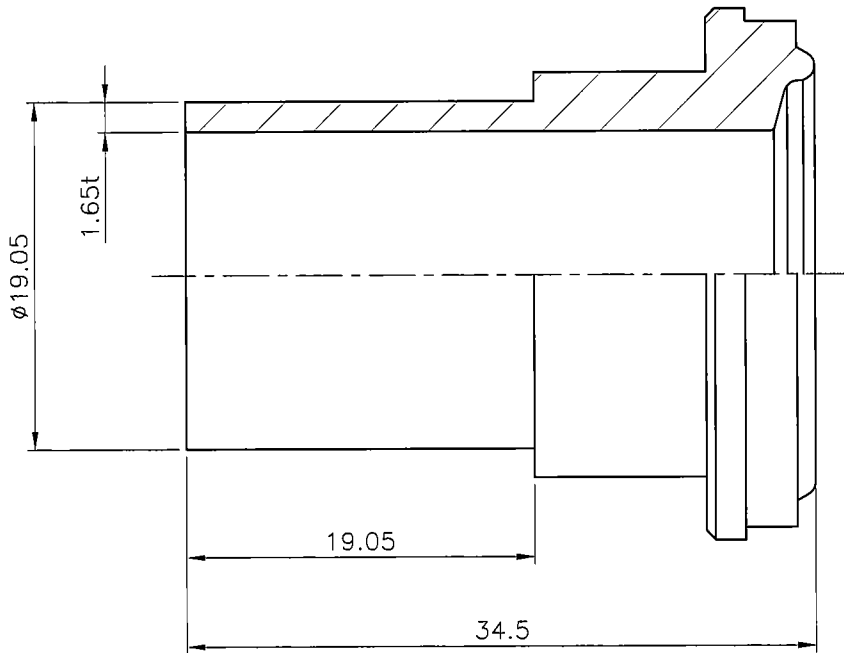
TK-FUJIKIN CORPORATION

TITLE			
METAL FACE SEAL FITTINGS 3/4" FEMALE LONG GLAND			
DRAWN	CHECKED	CHECKED	APPR'D
 연구개발부 2006-10-03 김용기	 연구개발부 2006-10-03 이선용	 연구개발부 2006-10-03 김홍수	 연구개발부 2006-10-03 김영호
	UNIT	TEM. SCALE	SCALE
	mm	0.4	NONE
SHT. NO.	DWG. NO.	SIZE	REV.
1 OF 1	12SG19-APP	A4	3

"X"
NUMBER

REV. 2
12SG19-APP
DWG. NO.

REV. LET.	REVISION RECORD	DATE	BY	CHECK'D	CHECK'D	APPR'D
1	ECN10-130 (승인도양식 변경)	'10.08.11	SY.J	HY.J		H.H
2	ECN10-141 (Ordering No. 변경)	'10.08.17	SY.J	HY.J		



NOTE

1. 본 도면은 승인용 도면이다.



Check	Ordering Number	Body Material	Grade
	S12SG19	SUS316L Single Melt	BA
	S12SG19-P	SUS316L Single Melt	EP
	D12SG19	SUS316L Double Melt	BA
	D12SG19-PX	SUS316L Double Melt	EP

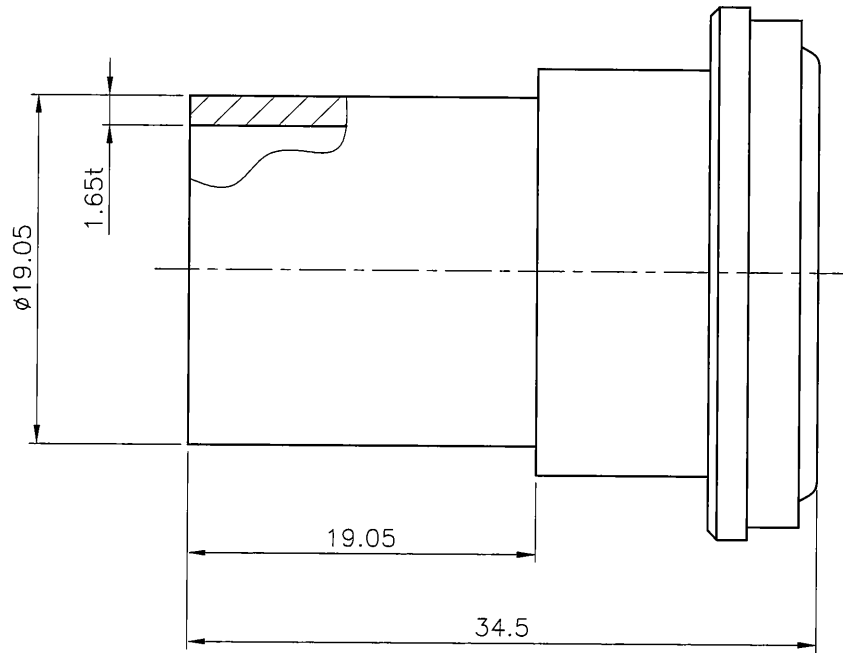
TKSCT corporation

TITLE			
FACE SEAL FITTINGS 3/4" FEMALE LONG GLAND			
DRAWN TKSCT 2006.10.03 김용기	CHECKED TKSCT 2006.10.03 이선웅	CHECKED TKSCT 2006.10.03 김홍수	APPR'D TKSCT 2006.10.03 김영호
UNIT mm	SCALE NONE	SIZE A4	
SHT. NO. 1 OF 1	DWG. NO. 12SG19-APP	REV. 2	

"X"
NUMBER

REV. 1
DWG. NO. 12SG19-APP

REV. LET.	REVISION RECORD	DATE	BY	CHECK'D	CHECK'D	APPR'D
1	ECN10-130 (승인도양식 변경)	'10.08.11	SY.J	HY.J		751



NOTE
1. 본 도면은 승인용 도면이다.

Check	Ordering Number	Body Material	Grade
	S12SG19	SUS316L Single Melt	BA
	S12SG19-P	SUS316L Single Melt	EP
	D12SG19	SUS316L Double Melt	BA
	D12SG19-P	SUS316L Double Melt	EP
	D12SG19-PX	SUS316L Double Melt	EP

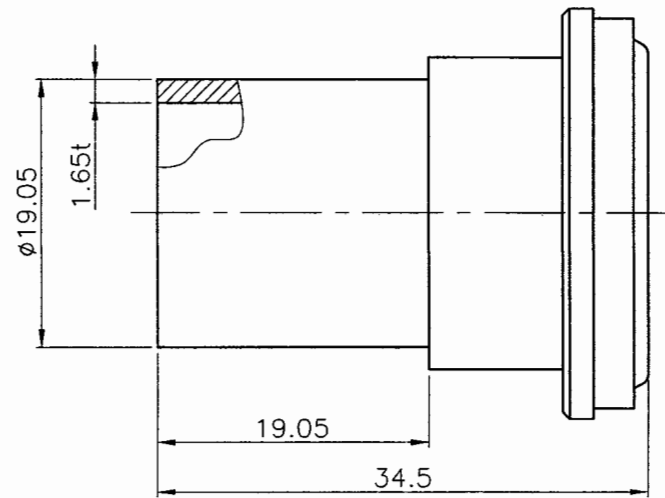
TKSCT corporation

TITLE			
FACE SEAL FITTINGS 3/4" FEMALE LONG GLAND			
DRAWN TKSCT 2006.10.03 김용기	CHECKED TKSCT 2006.10.03 이선용	CHECKED TKSCT 2006.10.03 김홍수	APPR'D TKSCT 2006.10.03 김영호
UNIT mm	SCALE NONE	SIZE A4	
SHT. NO. 1 OF 1	DWG. NO. 12SG19-APP		REV. 1

"X" NUMBER

0	REV.	12SG19-APP	DWG. NO.
---	------	------------	----------

REV. LET.	REVISION RECORD	DATE	BY	CHECK'D
0	FIRST ISSUE	'06.10.03	김용기	



NOTE

1. 본 도면은 승인용 도면이다.

DET. NO.	NO. REQ'D	NAME	SIZE	MAT'L
TK corporation				
TITLE FACE SEAL FITTINGS 3/4" FEMALE LONG GLAND				
DRAWN R&D 2006.10.03 김용기	CHECKED 2006.10.03 이진용	CHECKED SCT 2006.10.03 김홍수	APPROVED SCT 2006.10.03 김영호	
UNIT: mm		SCALE: NONE	SIZE: A4	
SHT. NO.	OF	DWG. NO.	12SG19-APP	
			REV	0