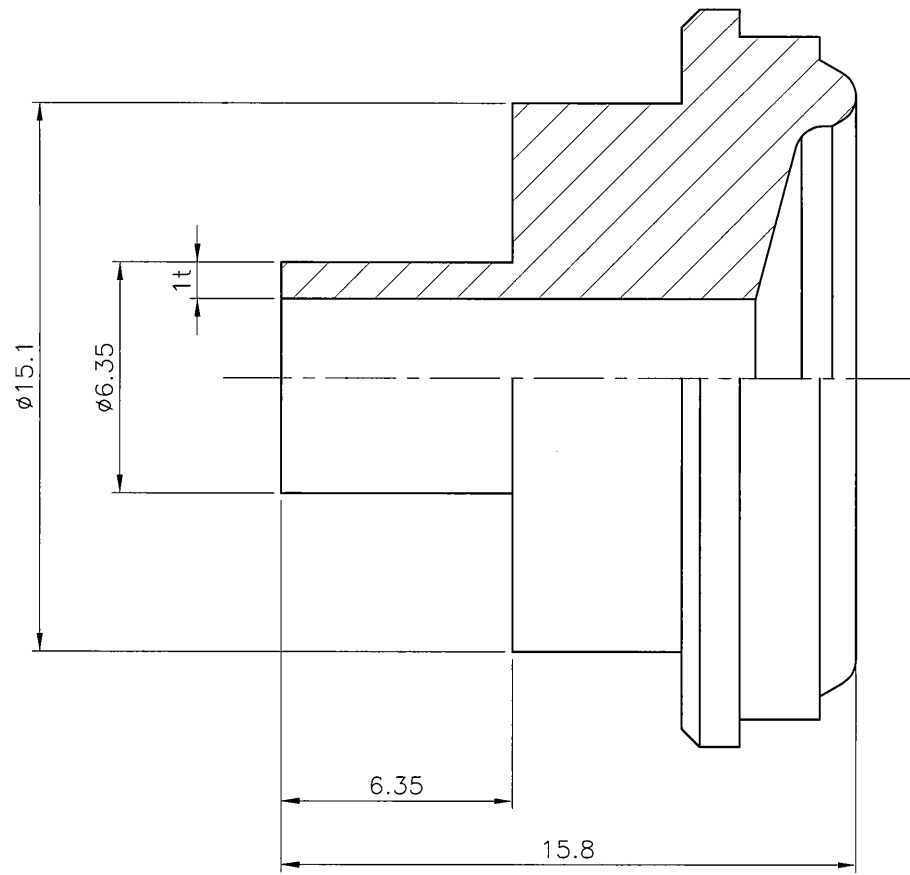


REV. 0	DWG. NO. 8X4SG6-APP
--------	---------------------

REV. LET.	REVISION RECORD	DATE	BY	CHECK'D	CHECK'D	APPR'D
△						



NOTE

1. 본 도면은 승인용 도면이다.

Check	Ordering Number	Body Material	Grade
	S8X4SG6	SUS316L Single Melt	BA
	S8X4SG6-P	SUS316L Single Melt	EP
	D8X4SG6	SUS316L Double Melt	BA
	D8X4SG6-PX	SUS316L Double Melt	EP

TKSCT corporation

TITLE METAL FACE SEAL FITTINGS 1/2"X1/4" FEMALE REDUCING MICRO GLAND			
DRAWN 태광SCT 2011.11.11 정순용	CHECKED 태광SCT 2011.11.11 정해용	CHECKED	APPROVED TKSCT 2011.11.11 김홍남
UNIT mm	SCALE NONE	SIZE A4	
SHT. NO. 1 of 1	DWG. NO. 8X4SG6-APP	REV. △	

"X" NUMBER