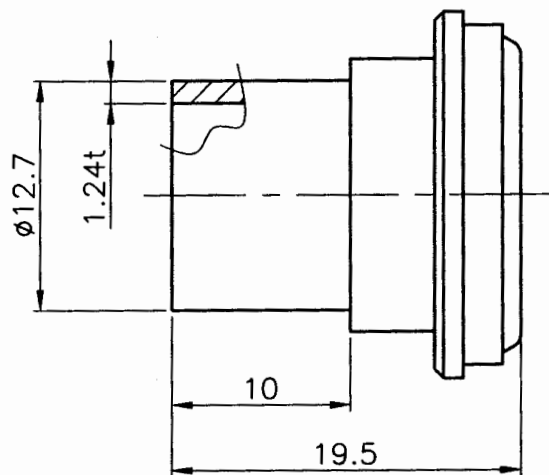


REV. 0 DWG. NO. 8SG10-APP ON 3MG

REV. LET.	REVISION RECORD	DATE	BY	CHECK'D
0	FIRST ISSUE	'08.07.23	H.Y.LEE	



NOTE

1. This Drawing Needs to be approved.

DET. NO.	NO. REQ'D	NAME	SIZE	MAT'L
TITLE FACE SEAL FITTINGS 1/2" FEMALE SHORT GLAND				
DRAWN 	CHECKED 	CHECKED 	APPROVED 	
UNIT mm		SCALE NONE		SIZE A4
SHT. NO.	OF	DWG. NO.	REV.	
		8SG10-APP	0	