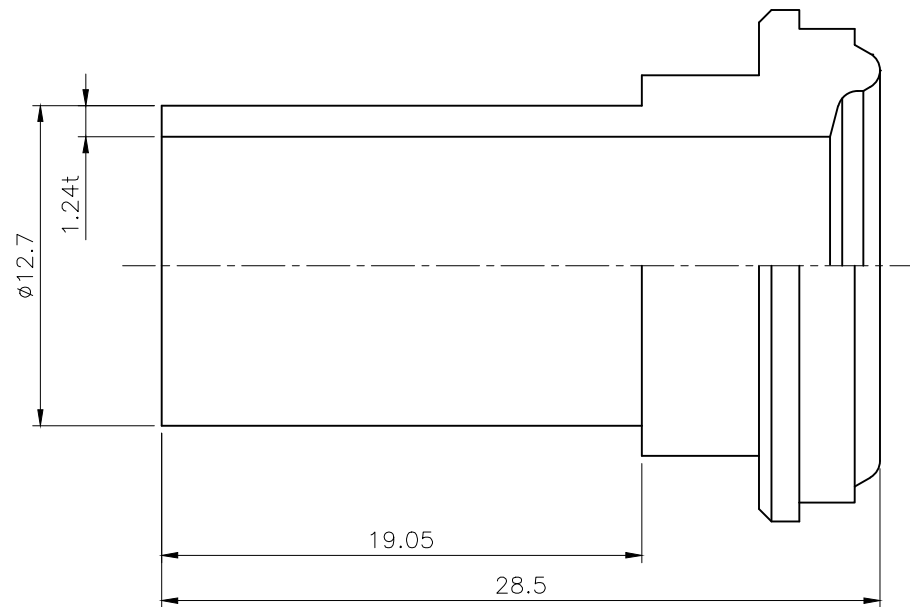






REV. LET.	REVISION RECORD	DATE	BY	CHECK'D	CHECK'D	APPR'D
3	신규 도면양식 적용	2018-06-19	D.H.Kim	Y.S.Sin	H.J.Jeong	Y.K.Kim
4	Ordering Number 추가	2021-03-05	J.Y.Jung	J.Y.Kim		Y.K.Kim



Check	Ordering Number	Body Material	Grade
	S8SG19	316L Stainless Steel	BA
	S8SG19-P	316L Stainless steel	EP
	D8SG19	316L Stainless Steel Remelted	BA
	D8SG19-PX	316L Stainless Steel Remelted	PX
	H8SG19	Hastelloy C-22	BA
	H8SG19-P	Hastelloy C-22	EP

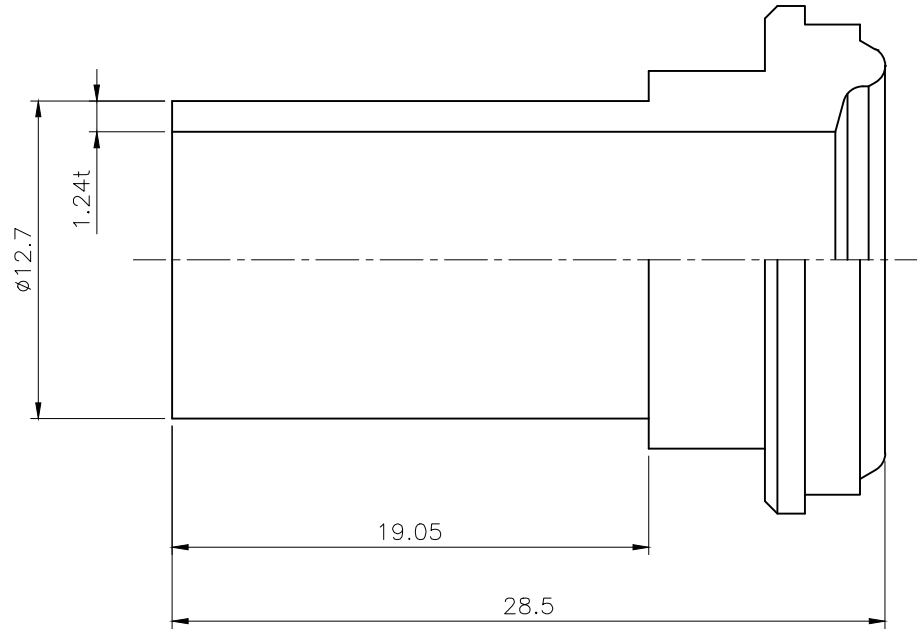
TK-FUJIKIN CORPORATION

TITLE			
METAL FACE SEAL FITTINGS 1/2" FEMALE LONG GLAND			
DRAWN	CHECKED	CHECKED	APPR'D
 김용기 2006-10-03	 이선용 2006-10-03	 김현수 2006-10-03	 김영홍 2006-10-03
UNIT		TEM. SCALE	SCALE
mm		0.3	NONE
SHT. NO.			REV.
1 OF 1			4

"X"
NUMBER

DWG. NO. 8SG19-APP

REV. LET.	REVISION RECORD	DATE	BY	CHECK'D	CHECK'D	APPR'D
△2	ECN10-141 (Ordering No. 변경)	2010-08-17	S.Y.Jeong	H.Y.Jeong	H.S.Kim	H.H
△3	신규 도면양식 적용	2018-06-19	D.H.Kim	Y.S.Sin	H.J.Jeong	Y.K.Kim



Check	Ordering Number	Body Material	Grade
	S8SG19	316L Stainless Steel	BA
	S8SG19-P	316L Stainless steel	EP
	D8SG19	316L VAR Stainless Steel	BA
	D8SG19-PX	316L VAR Stainless Steel	PX

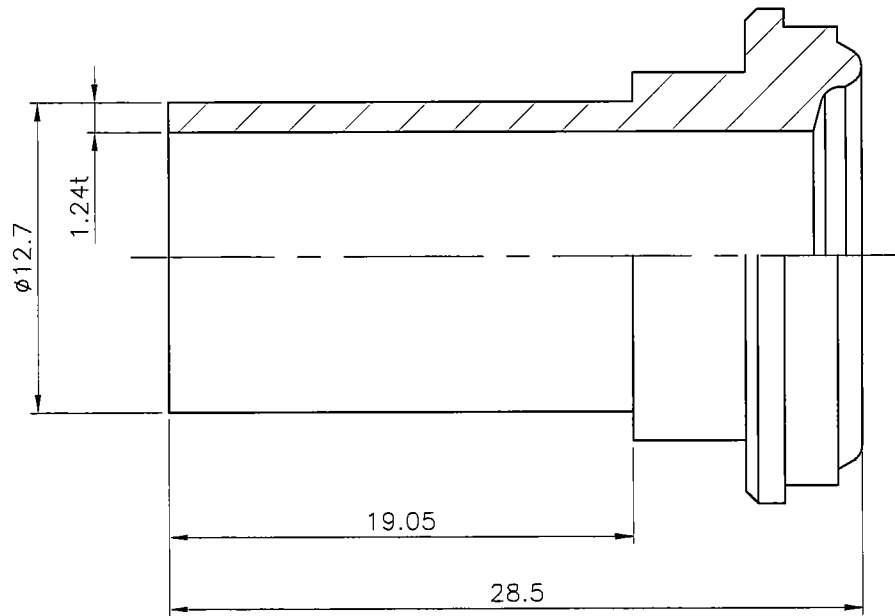
TK-FUJIKIN CORPORATION

TITLE			
METAL FACE SEAL FITTINGS 1/2" FEMALE LONG GLAND			
DRAWN	CHECKED	CHECKED	APPR'D
 2006-10-03 김용기	 2006-10-03 이선용	 2006-10-03 김훈수	 2006-10-03 김영호
UNIT	mm	TEM. SCALE	0.3
SCALE	NONE	SIZE	A4
SHT. NO.	DWG. NO.		REV.
1 OF 1	8SG19-APP		△3

"X"
NUMBER

REV. NO. 8SG19-APP 'ON 'GMD

REV. LET.	REVISION RECORD	DATE	BY	CHECK'D	CHECK'D	APPR'D
①	ECN10-130 (승인도양식 변경)	'10.08.11	SY.J	HY.J		H.H
②	ECN10-141 (Ordering No. 변경)	'10.08.17	SY.J	HY.J	KS	H.H



NOTE

1. 본 도면은 승인용 도면이다.

Check	Ordering Number	Body Material	Grade
	S8SG19	SUS316L Single Melt	BA
	S8SG19-P	SUS316L Single Melt	EP
	D8SG19	SUS316L Double Melt	BA
	D8SG19-PX	SUS316L Double Melt	EP

TKSCT corporation

TITLE
FACE SEAL FITTINGS
1/2" FEMALE LONG GLAND

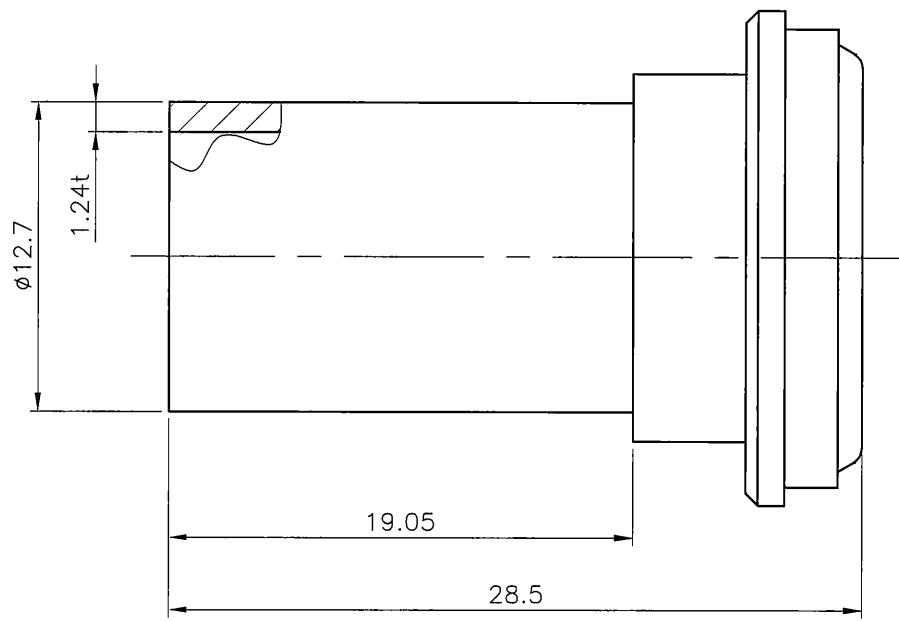
DRAWN	CHECKED	CHECKED	APPR'D
TKSCT 2006.10.03 김용기	TKSCT 2006.10.03 이선용	TKSCT 2006.10.03 김홍수	TKSCT 2006.10.03 김영호

UNIT mm SCALE NONE SIZE A4

SHT. NO. 1 OF 1 DWG. NO. 8SG19-APP REV. ②

"X"
NUMBER

REV. LET.	REVISION RECORD	DATE	BY	CHECK'D	CHECK'D	APPR'D
1	ECN10-130 (승인도장식 변경)	'10.08.11	S.Y. J	HY. J		SH



NOTE
1. 본 도면은 승인용 도면이다.

Check	Ordering Number	Body Material	Grade
	S8SG19	SUS316L Single Melt	BA
	S8SG19-P	SUS316L Single Melt	EP
	D8SG19	SUS316L Double Melt	BA
	D8SG19-P	SUS316L Double Melt	EP
	D8SG19-PX	SUS316L Double Melt	EP

TKSCT corporation

TITLE
FACE SEAL FITTINGS
1/2" FEMALE LONG GLAND

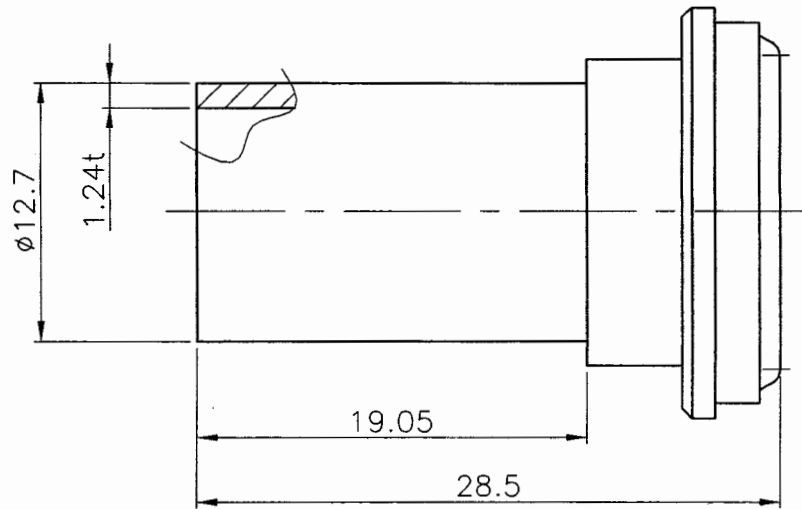
DRAWN	CHECKED	CHECKED	APPR'D
TKSCT 2006.10.03 김용기	TKSCT 2006.10.03 이선용	TKSCT 2006.10.03 김홍수	TKSCT 2006.10.03 김영호

UNIT	mm	SCALE	NONE	SIZE	A4	
SHT. NO.	1 OF 1	DWG. NO.	8SG19-APP		REV.	1

"X"
NUMBER

REV. 0 ddy-610S8 '06.05.15

REV. LET.	REVISION RECORD	DATE	BY	CHECK'D
0	FIRST ISSUE	'06.05.15	H.Y.LEE	



NOTE

1.본 도면은 승인용 도면이다.

DET. NO.	NO. REC'D	NAME	SIZE	MAT'L
TK corporation				
TITLE FACE SEAL FITTINGS 1/2" FEMALE LONG GLAND				
DRAWN R&D 2006.10.03 김용기	CHECKED SCT 2006.10.03 이선용	CHECKED SCT 2006.10.03 김홍수	APPR'D SCT 2006.10.03 김명호	
UNIT: mm		SCALE: NONE		SIZE: A4
SHT. NO. OF	DWG. NO. 8SG19-APP			REV. 0