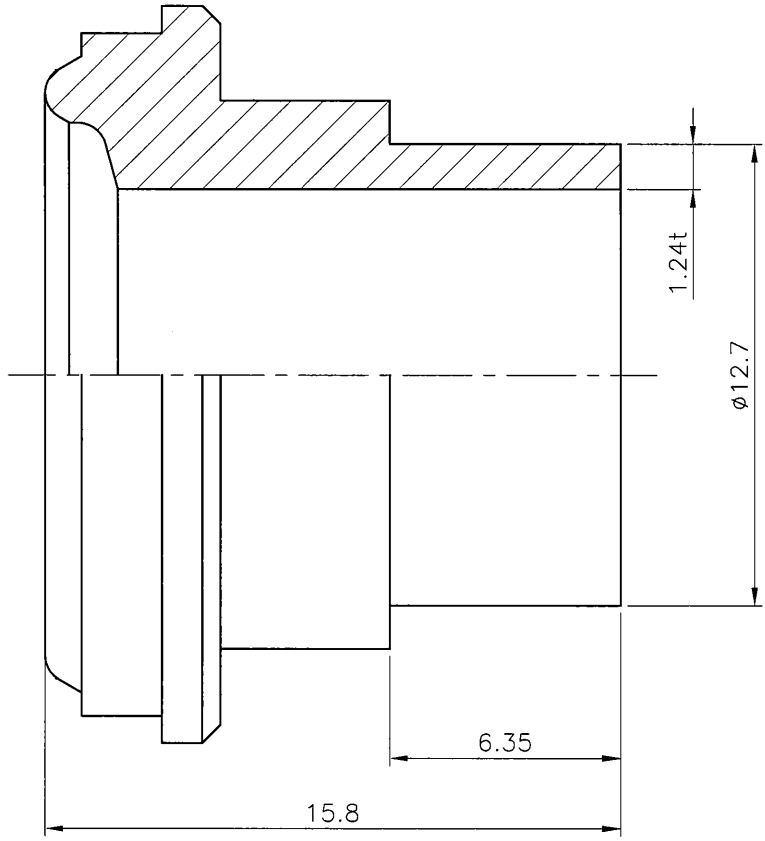


REV. 0  
DWG. NO. 8SG6-APP

REV. LET.	REVISION RECORD	DATE	BY	CHECK'D	CHECK'D	APPR'D
△						



NOTE

1. 본 도면은 승인용 도면이다.

Check	Ordering Number	Body Material	Grade
	S8SG6	SUS316L Single Melt	BA
	S8SG6-P	SUS316L Single Melt	EP
	D8SG6	SUS316L Double Melt	BA
	D8SG6-PX	SUS316L Double Melt	EP

TKSCT corporation

TITLE METAL FACE SEAL FITTINGS  
1/2" FEMALE MICRO GLAND

DRAWN 태광SCT 2012.12.31 김순용	CHECKED	CHECKED	APP. 태광SCT 2012.12.31 정해용
UNIT mm	SCALE NONE	SIZE A4	

"X" NUMBER

SHT. NO. 1 OF 1 DWG. NO. 8SG6-APP REV. △