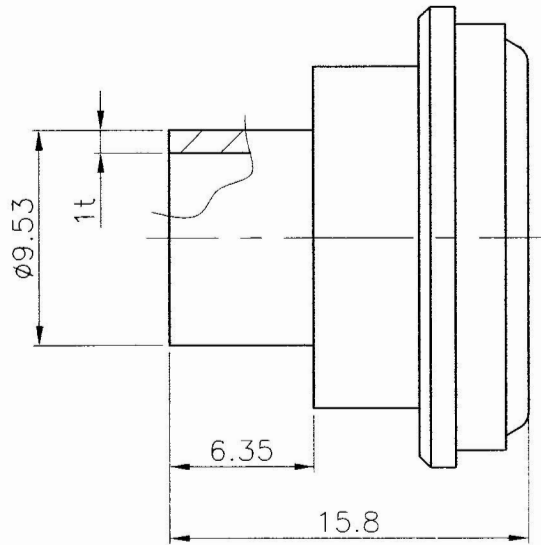


REV. 0 Dwg. No. 6SG6-APP

REV. LET.	REVISION RECORD	DATE	BY	CHECK'D
0	FIRST ISSUE	'06.04.10	H.Y.LEE	



NOTE  
1.THIS DRAWING IS APPROVAL A DRAWING

DET. NO.	NO. REQ'D	NAME	SIZE	MAT'L
<b>TK corporation</b>				
TITLE FACE SEAL FITTINGS 3/8" FEMALE MICRO GLAND				
DRAWN <i>[Signature]</i> 06.04.11	CHECKED <i>[Signature]</i> 06.08.11	CHECKED	APPR'D <i>[Signature]</i> 2006-4-11	
UNIT mm		SCALE NONE	SIZE A4	
SHT. NO. OF	DWG. NO. 6SG6-APP	REV. 0		