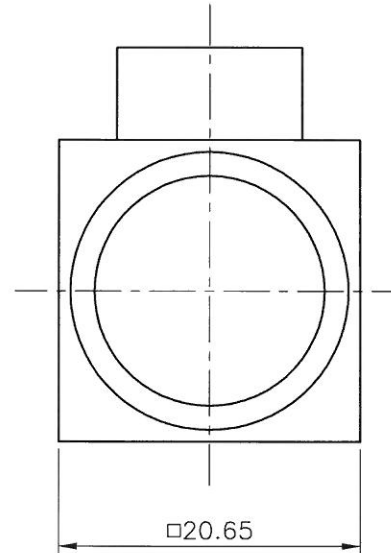
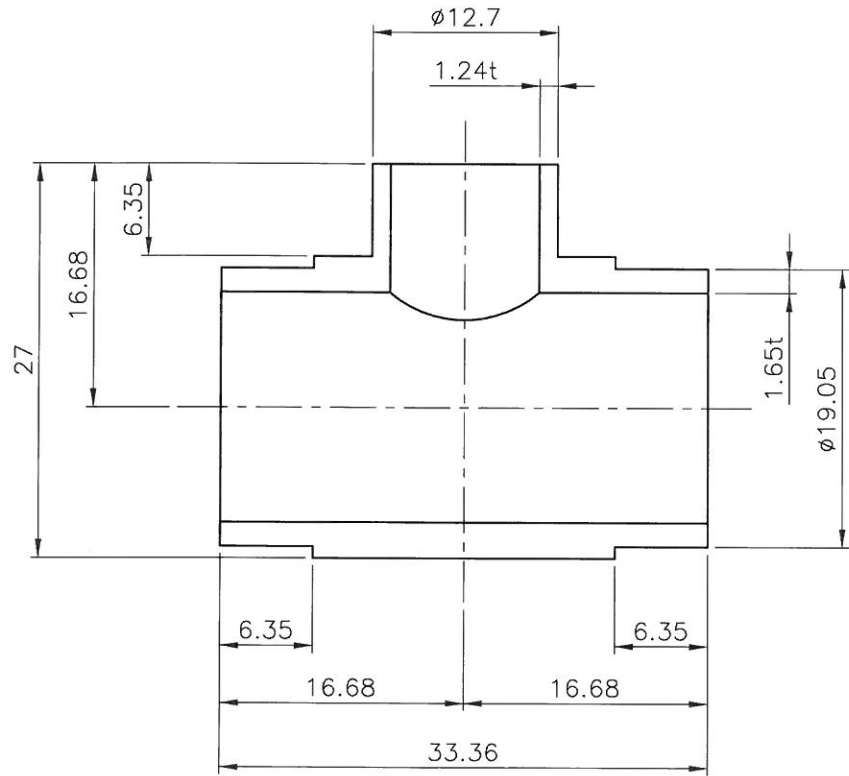


REV. NO. DWG. NO. 12X8T6-APP

REV. LET.	REVISION RECORD	DATE	BY	CHECK'D	CHECK'D	APPR'D
△	DCR-2013-00175 (로그 변경)	'14.10.02	S.H. Kim	SY.J	H.H. Kim	KHN



NOTE

1. 본 도면은 승인용 도면이다.

Check	Ordering Number	Body Material	Grade
	S12X8T6	316L Stainless Steel Single Melt	BA
	S12X8T6-P	316L Stainless Steel Single Melt	EP
	D12X8T6	316L Stainless Steel Double Melt	BA
	D12X8T6-PX	316L Stainless Steel Double Melt	EP

TK-FUJIKIN CORPORATION

TITLE
TUBE BUTT WELD
3/4"X1/2" MICRO REDUCING TEE

DRAWN TKF 2013.04.03 정순용	CHECKED	CHECKED	APPR'D TKF 2013.04.04 정해용
UNIT mm	SCALE NONE	SIZE A4	
SHT. NO. 1 of 1	DWG. NO. 12X8T6-APP	REV. 1	

"X" NUMBER	
------------	--

