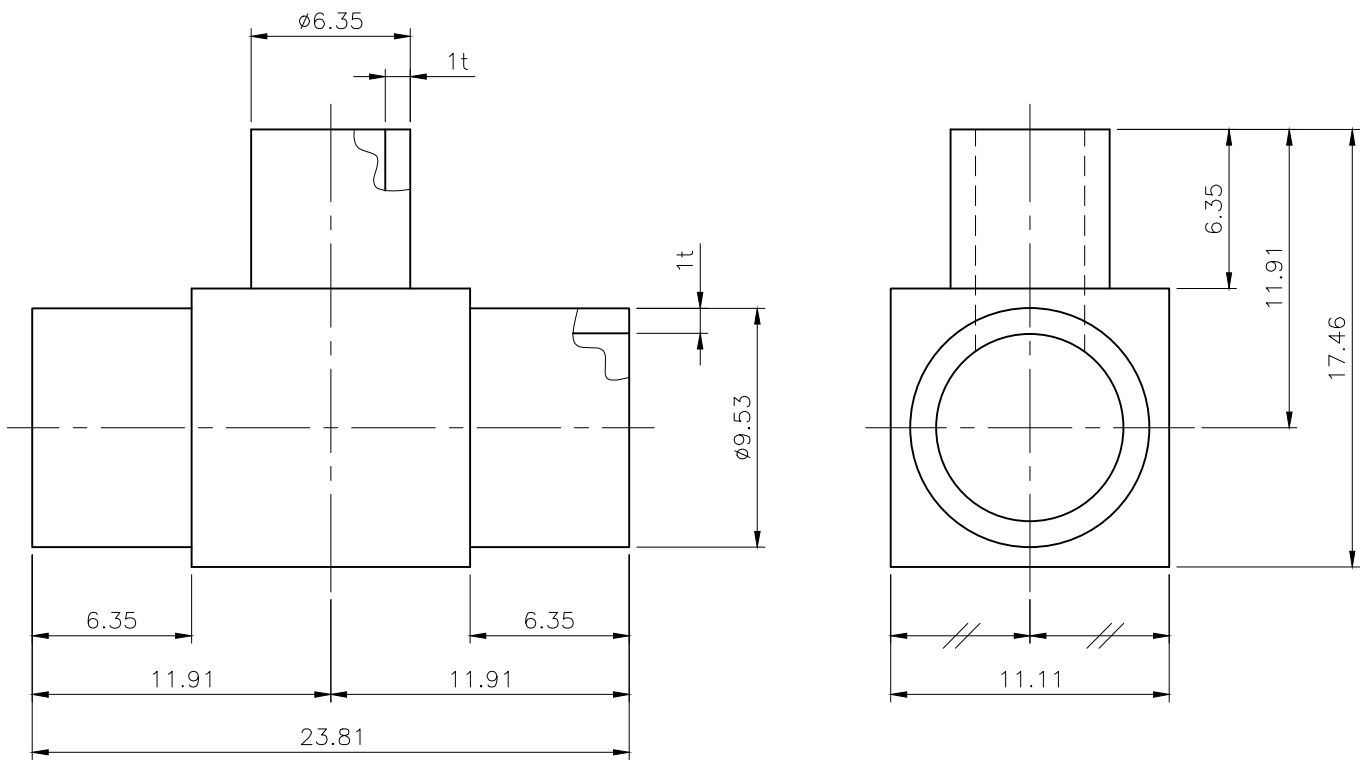


REV. 0 DWG. NO. 6X4T6-APP

REV. LET.	REVISION RECORD	DATE	BY	CHECK'D	CHECK'D	APPR'D
△						



Check	Ordering Number	Body Material	Grade
	S6X4T6	316L Stainless Steel	BA
	S6X4T6-P	316L Stainless Steel	EP
	D6X4T6	316L VAR Stainless Steel	BA
	D6X4T6-PX	316L VAR Stainless Steel	PX

**TK-FUJIKIN CORPORATION**

TITLE TUBE BUTT WELD 3/8"X1/4" MICRO REDUCING TEE			
DRAWN <b>TKF</b> 2006.05.25 이현용	CHECKED <b>TKF</b> 2006.05.25 이선용	CHECKED	APPR'D <b>TKF</b> 2006.05.26 김홍수
UNIT mm	SCALE NONE	SIZE A4	
SHT. NO. OF	DWG. NO. 6X4T6-APP		REV. △

"X" NUMBER