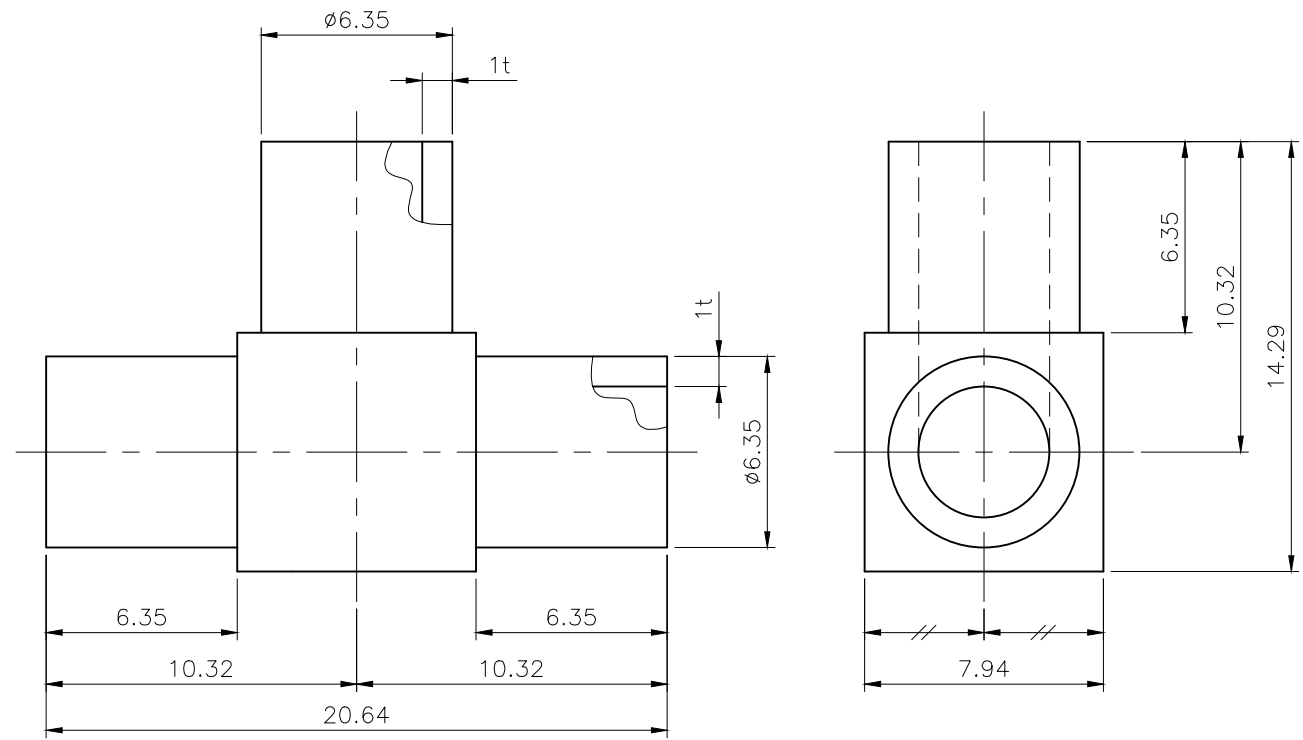


REV. 0 DWG. NO. 4T6-APP

REV. LET.	REVISION RECORD	DATE	BY	CHECK'D	CHECK'D	APPR'D
△						



Check	Ordering Number	Body Material	Grade
	S4T6	316L Stainless Steel	BA
	S4T6-P	316L Stainless Steel	EP
	D4T6	316L VAR Stainless Steel	BA
	D4T6-PX	316L VAR Stainless Steel	PX

TK-FUJIKIN CORPORATION

TITLE TUBE BUTT WELD
1/4" MICRO TEE

DRAWN TKF 2007.02.08 이현용	CHECKED TKF 2007.02.08 이현용	CHECKED	APPR'D TKF 2007.02.08 김영호
--	--	---------	---

UNIT mm	SCALE NONE	SIZE A4
---------	------------	---------

SHT. NO. OF	DWG. NO.	REV.
	4T6-APP	△