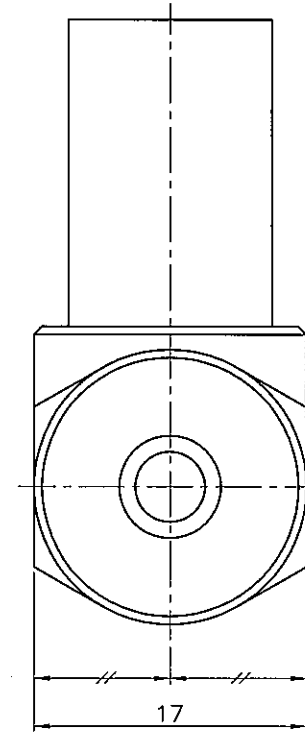
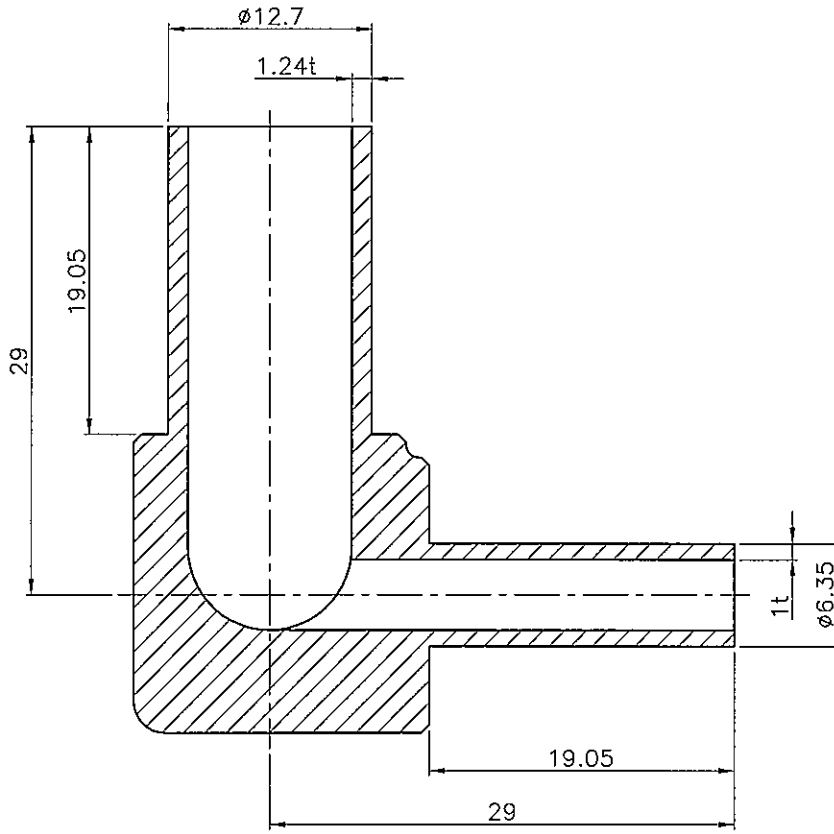


REV. 0	DWG. NO. 8x4E19-APP
--------	---------------------

REV. LET.	REVISION RECORD	DATE	BY	CHECK'D
△0	FIRST ISSUE	'07.02.23	H.Y.LEE	



NOTE

1. This Drawing Needs to be approved

DET. NO.	NO. REQ'D	NAME	SIZE	MAT'L
TK corporation				
TITLE TUBE BUTT WELD 1/2"X1/4" REDUCING LONG ELBOW(FORGED BODY)				
DRAWN 이진용 2007.2.23	CHECKED 이진용 2007.2.23	CHECKED	APPR'D <i>[Signature]</i> 2007-2-23	
	UNIT mm	SCALE NONE	SIZE A4	
SHT. NO.	OF	DWG. NO. 8x4E19-APP	REV. △0	