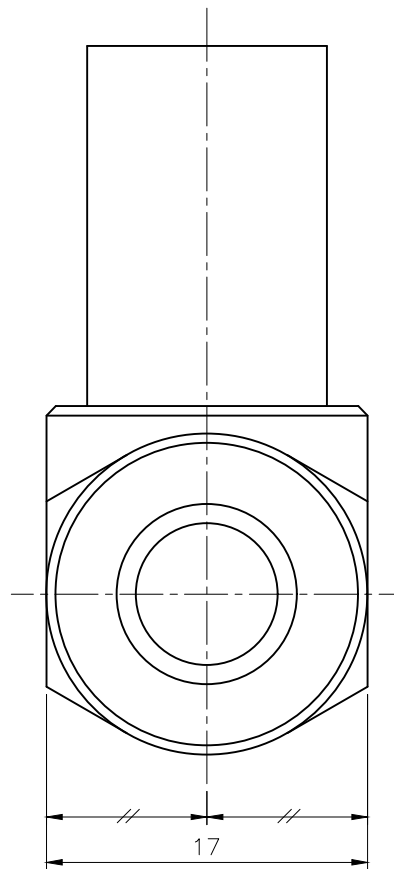
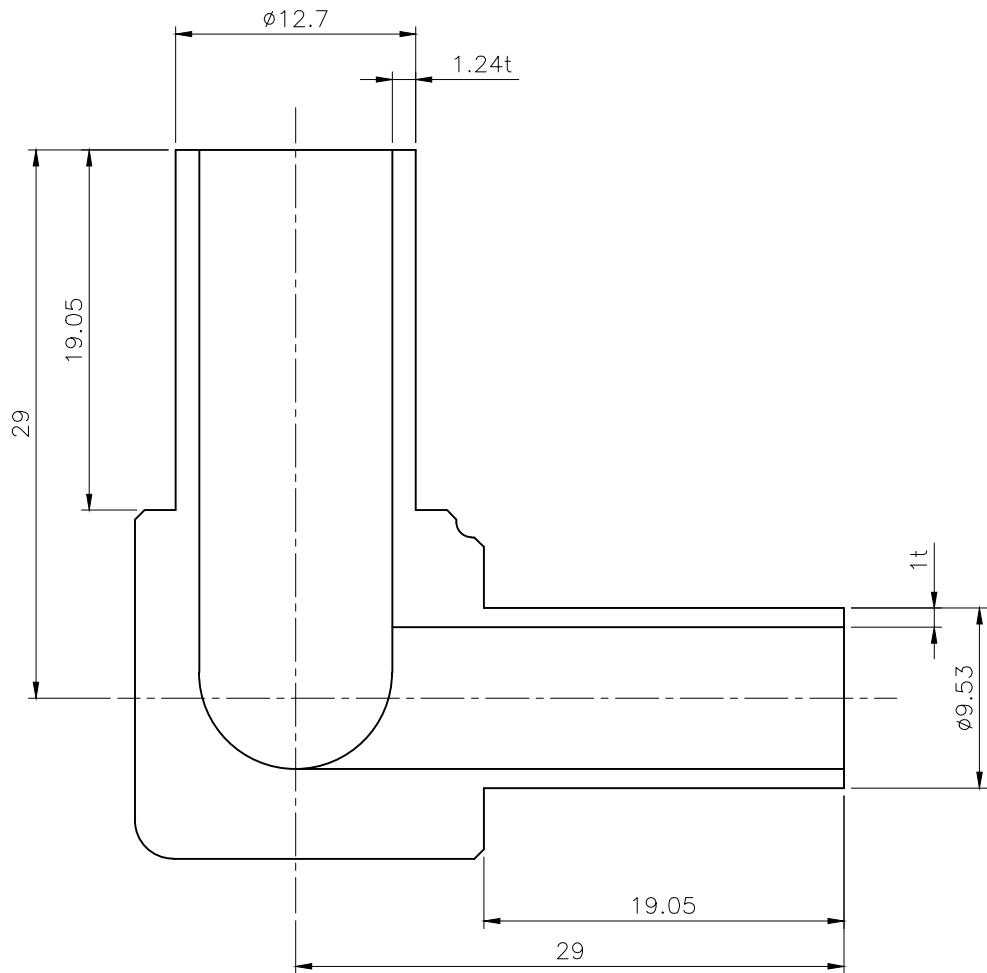


REV. LET.	REVISION RECORD	DATE	BY	CHECK'D	CHECK'D	APPR'D
△						
0	FIRST ISSUE	2021-12-08	J.D.Cho	J.Y.Kim		Y.K.Kim



Check	Ordering Number	Body Material	Grade
	S8X6E19	316L Stainless Steel	BA
	S8X6E19-P	316L Stainless Steel	EP
	D8X6E19	316L Stainless Steel Remelted	BA
	D8X6E19-PX	316L Stainless Steel Remelted	PX

**TK-FUJIKIN CORPORATION**

TITLE			
TUBE BUTT WELD 1/2" X 3/8" LONG ELBOW(단조)			
DRAWN 연구개발부 2021-12-08 조재덕	CHECKED 연구개발부 2021-12-08 김재영	CHECKED	APPR'D 연구개발부 2021-12-08 김용기
UNIT mm	TEM. SCALE 0.4	SCALE NONE	SIZE A4
SHT. NO. 1 OF 1	DWG. NO. 8X6E19-APP		REV. 0

"X"  
NUMBER