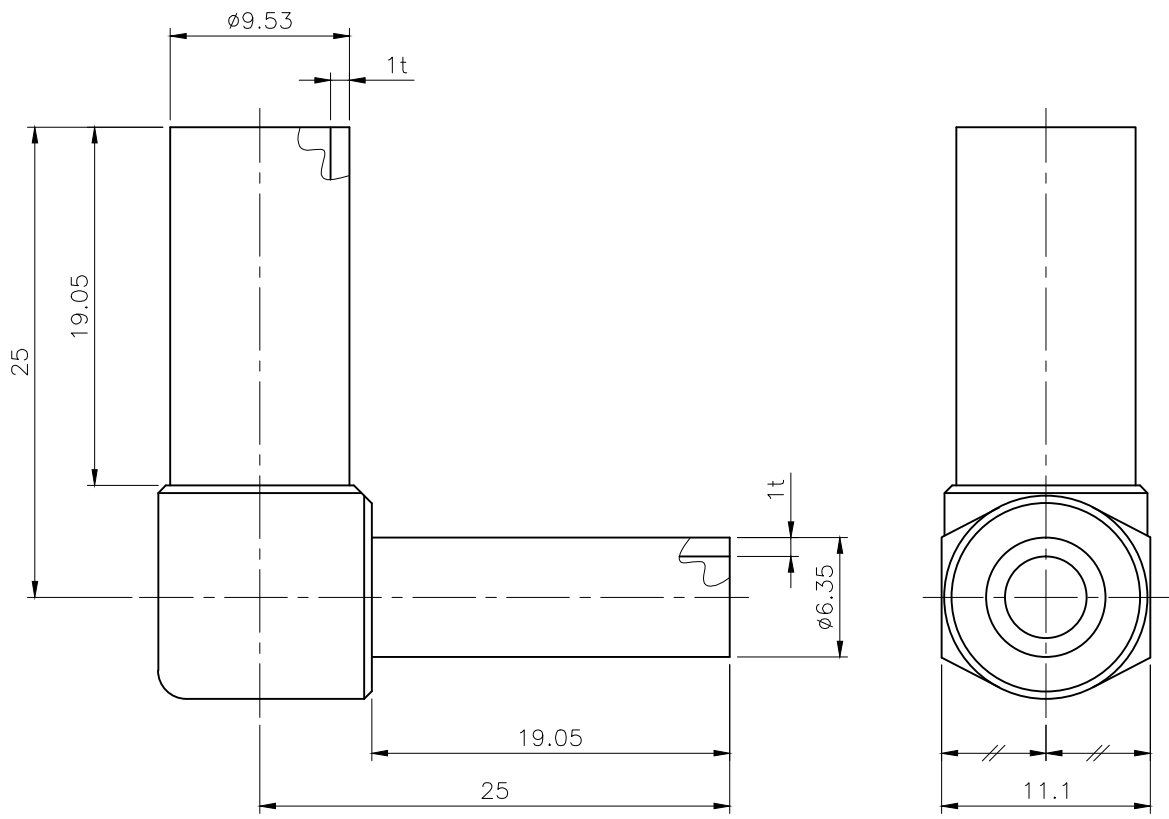


REV. 6X4E19-APP DWG. NO.

| REV. LET. | REVISION RECORD | DATE | BY | CHECK'D | CHECK'D | APPR'D |
|-----------|-----------------|------|----|---------|---------|--------|
| △ | | | | | | |



| Check | Ordering Number | Body Material | Grade |
|-------|-----------------|--------------------------|-------|
| | S6X4E19 | 316L Stainless Steel | BA |
| | S6X4E19-P | 316L Stainless Steel | EP |
| | D6X4E19 | 316L VAR Stainless Steel | BA |
| | D6X4E19-PX | 316L VAR Stainless Steel | PX |

TK-FUJIKIN CORPORATION

| | | | |
|---|--|------------|---|
| TITLE TUBE BUTT WELD 3/8"X1/4" REDUCING LONG ELBOW (단조) | | | |
| DRAWN TKF 2006.08.17 김지훈 | CHECKED TKF 2006.08.17 이선용 | CHECKED | APPR'D TKF 2006.08.17 김홍수 |
| UNIT mm | SCALE NONE | SIZE A4 | |
| SHT. NO. OF | DWG. NO. 6X4E19-APP | | REV. △ |

"X" NUMBER