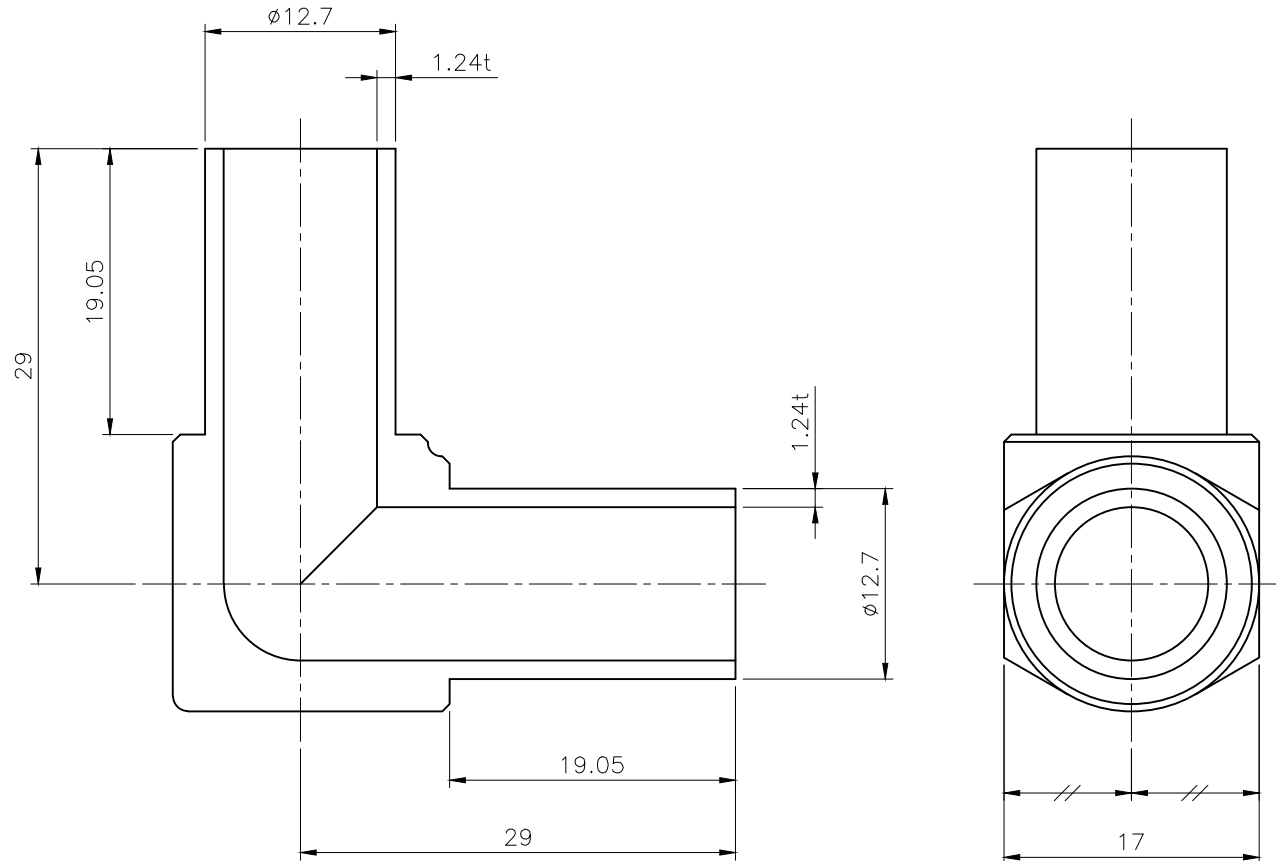


REV. LET.	REVISION RECORD	DATE	BY	CHECK'D	CHECK'D	APPR'D
2	ECN10-141 (Ordering No. 변경)	2010-08-17	H.Y.Lee	S.Y.Lee	H.S.Kim	Y.H.Kim
3	신규 도면 형식 적용	2018-03-09	H.J.Kim			H.J.Jeong



Check	Ordering Number	Body Material	Grade
	S8E19	316L Stainless Steel	BA
	S8E19-P	316L Stainless Steel	EP
	D8E19	316L VAR Stainless Steel	BA
	D8E19-PX	316L VAR Stainless Steel	PX

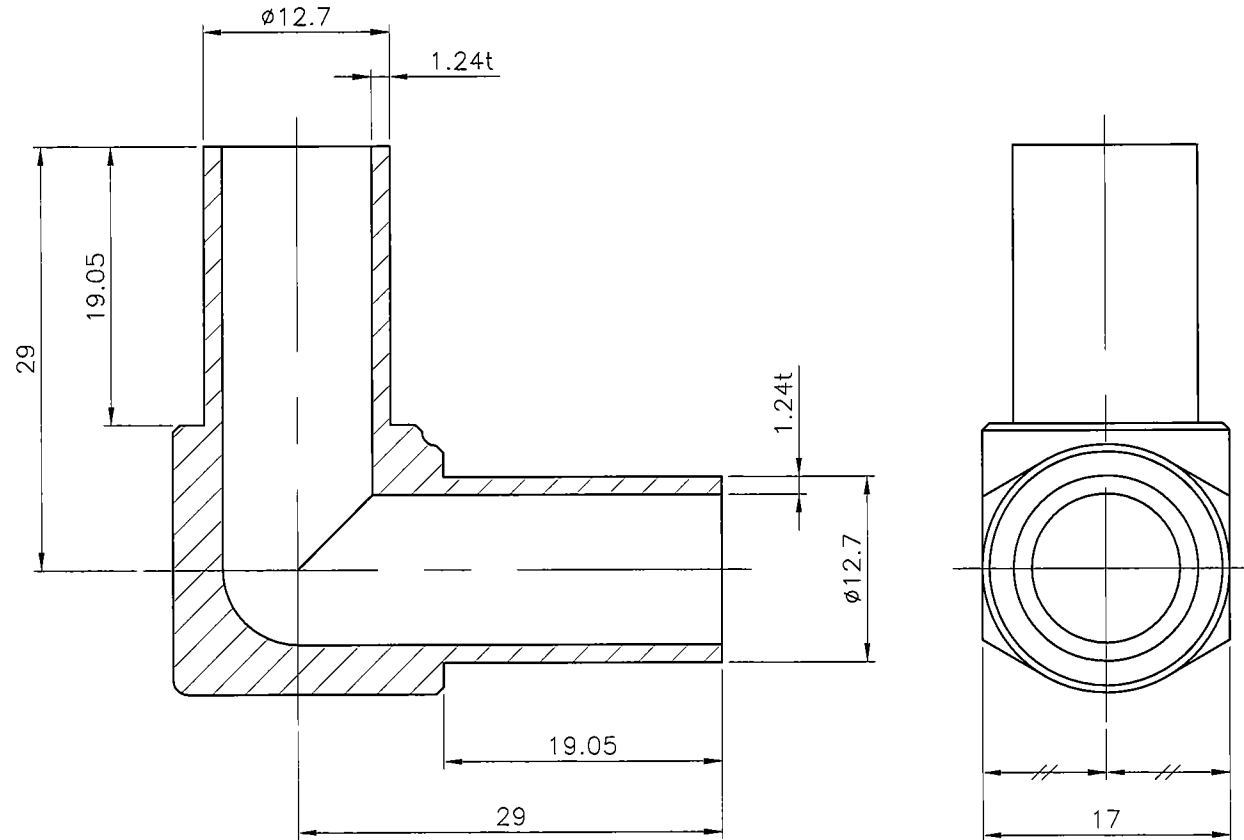
TK-FUJIKIN CORPORATION

TITLE			
TUBE BUTT WELD 1/2" LONG ELBOW (단조)			
DRAWN 연구개발부 2007-02-08 이현용	CHECKED 연구개발부 2007-02-08 이선용	CHECKED	APPR'D 연구개발부 2007-02-08 김영호
UNIT mm	TEMP. SCALE 0.5	SCALE NONE	SIZE A4
SHT. NO. 1 OF 1	DWG. NO. 8E19-APP	REV. 3	

"X"
NUMBER

REV. 2	8E19-APP	DWG. NO.
--------	----------	----------

REV. LET.	REVISION RECORD	DATE	BY	CHECK'D	CHECK'D	APPR'D
△1	ECN10-130 (승인도양식 변경)	'10.08.11	SY.J	HY.J		H.H
△2	ECN10-141 (Ordering No. 변경)	'10.08.17	SY.J	HY.J	<i>[Signature]</i>	<i>[Signature]</i>



NOTE

1. 본 도면은 승인용 도면이다.

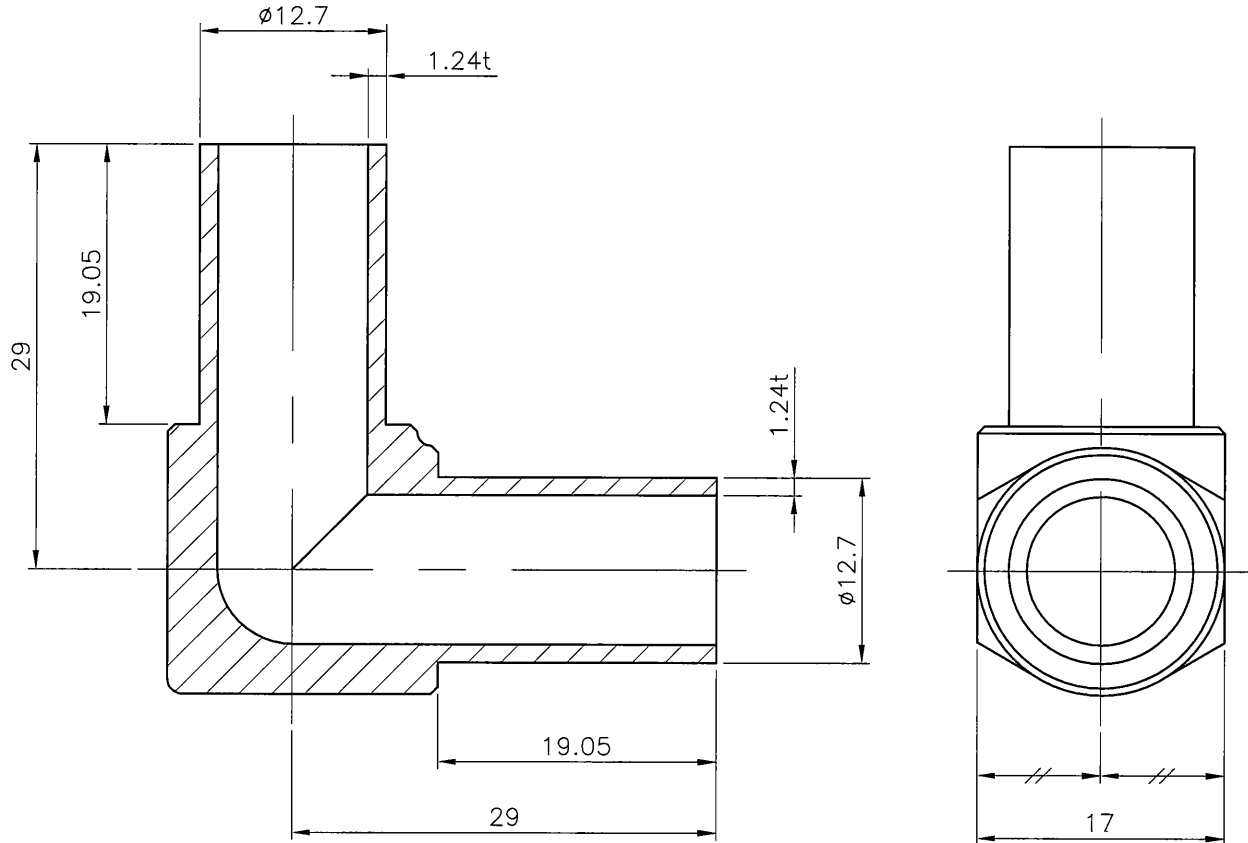
Check	Ordering Number	Body Material	Grade
	S8E19	SUS316L Single Melt	BA
	S8E19-P	SUS316L Single Melt	EP
	D8E19	SUS316L Double Melt	BA
	D8E19-PX	SUS316L Double Melt	EP

TKSCT corporation

TITLE TUBE BUTT WELD 1/2" LONG ELBOW (단조)			
DRAWN TKSCT 2007.02.08 이현용	CHECKED TKSCT 2007.02.08 이선용	CHECKED	APPR'D TKSCT 2007.02.08 김영호
UNIT mm	SCALE NONE	SIZE A4	
SHT. NO. 1 OF 1	DWG. NO. 8E19-APP	REV. 2	

"X"
NUMBER

REV. LET.	REVISION RECORD	DATE	BY	CHECK'D	CHECK'D	APPR'D
1	ECN10-130 (승인도양식 변경)	'10.08.11	SY.J	HY.J		JKM



NOTE
1. 본 도면은 승인용 도면이다.

Check	Ordering Number	Body Material	Grade
	S8E19	SUS316L Single Melt	BA
	S8E19-P	SUS316L Single Melt	EP
	D8E19	SUS316L Double Melt	BA
	D8E19-P	SUS316L Double Melt	EP
	D8E19-PX	SUS316L Double Melt	EP

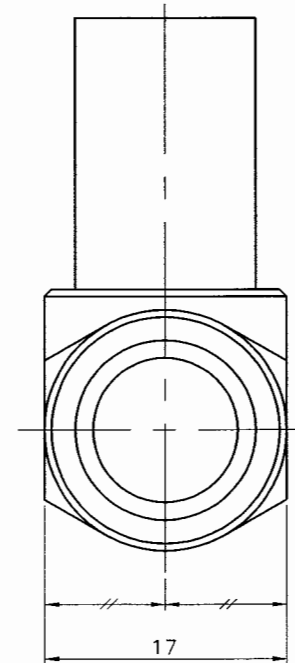
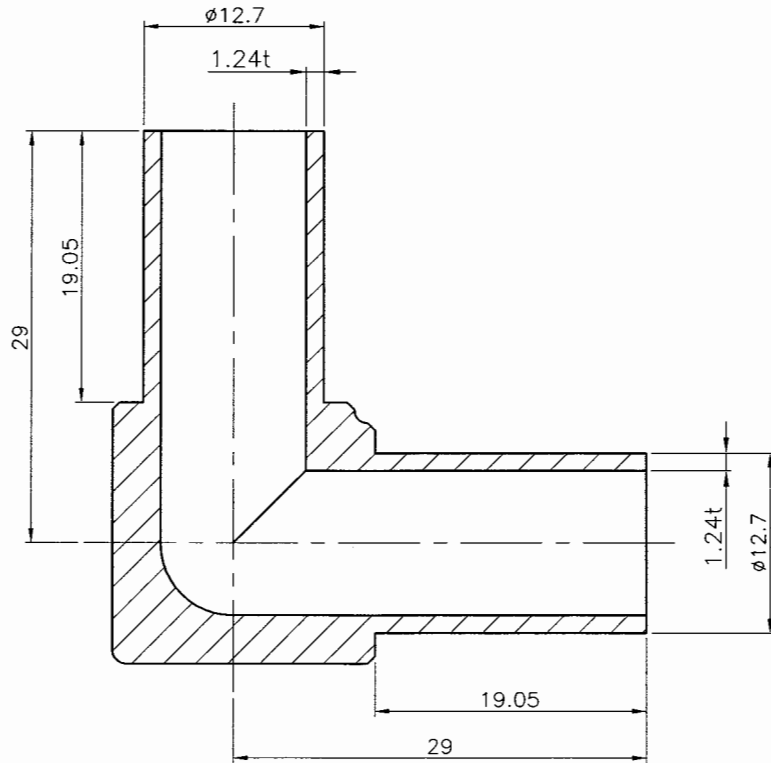
TKSCT corporation

TITLE TUBE BUTT WELD 1/2" LONG ELBOW (단조)			
DRAWN TKSCT 2007.02.08 이현용	CHECKED TKSCT 2007.02.08 이선용	CHECKED	APPR'D TKSCT 2007.02.08 김영호
UNIT mm	SCALE NONE	SIZE A4	
SHT. NO. 1 OF 1	DWG. NO. 8E19-APP	REV. 1	

"X" NUMBER	
---------------	--

REV. 0 DWG. NO. 8E19-APP

REV. LET.	REVISION RECORD	DATE	BY	CHECK'D
△	FIRST ISSUE	'05.10.17	이현용	



NOTE
1.본 도면은 승인용 도면이다.

DET. NO.	NO. REQ'D	NAME	SIZE	MAT'L
TK corporation				
TITLE TUBE BUTT WELD 1/2" LONG ELBOW(단조)				
DRAWN 2007.2.08 이현용	CHECKED 2007.2.08 이현용	CHECKED	APPROVED	2007.2.08 이현용
UNIT mm		SCALE NONE	SIZE A4	
SHT. NO.	OF	DWG. NO.	REV.	
		8E19-APP	△	