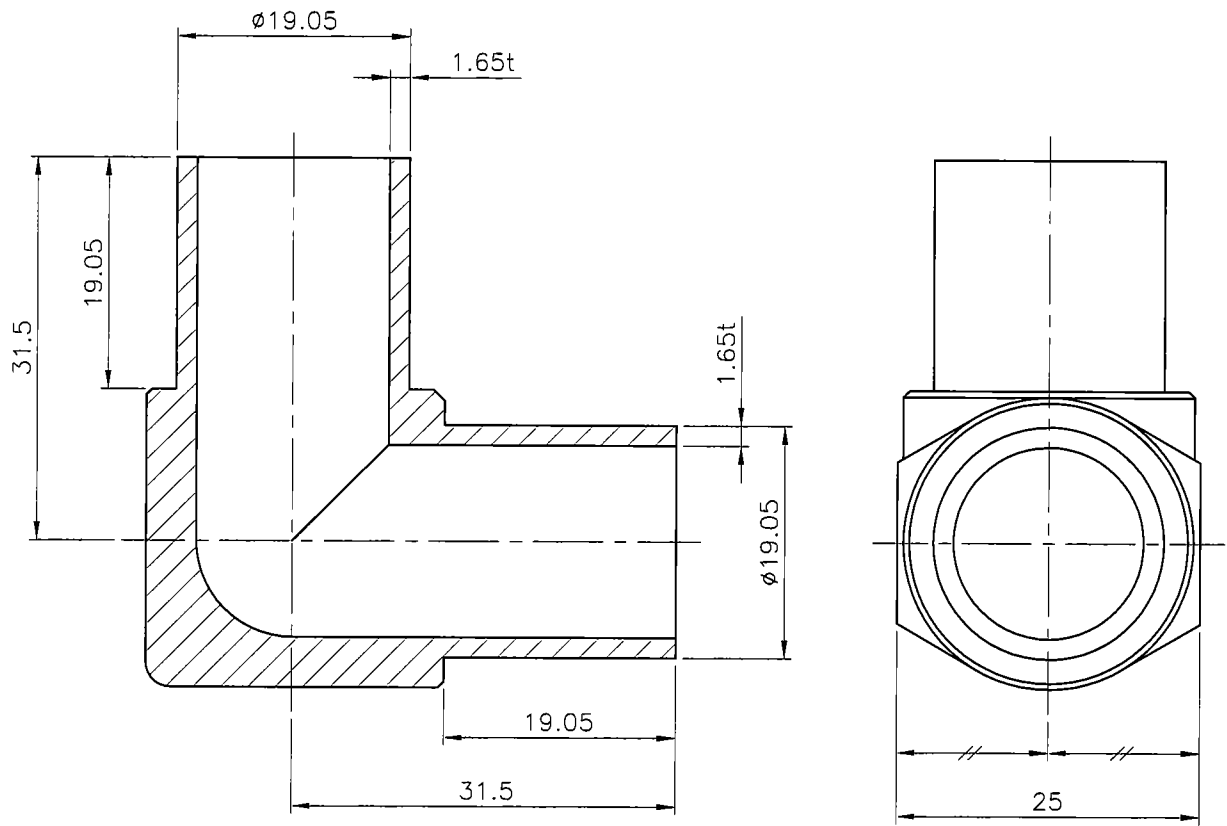


REV. NO. 2
DWG. NO. 12E19-APP

REV. LET.	REVISION RECORD	DATE	BY	CHECK'D	CHECK'D	APPR'D
①	ECN10-130 (승인도양식 변경)	'10.08.11	SY.J	HY.J		H.H
②	ECN10-141 (Ordering No. 변경)	'10.08.17	SY.J	HY.J	→	761



NOTE
1. 본 도면은 승인용 도면이다.

Check	Ordering Number	Body Material	Grade
	S12E19	SUS316L Single Melt	BA
	S12E19-P	SUS316L Single Melt	EP
	D12E19	SUS316L Double Melt	BA
	D12E19-PX	SUS316L Double Melt	EP

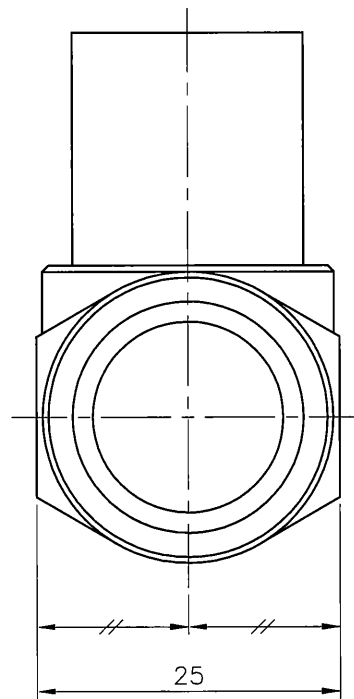
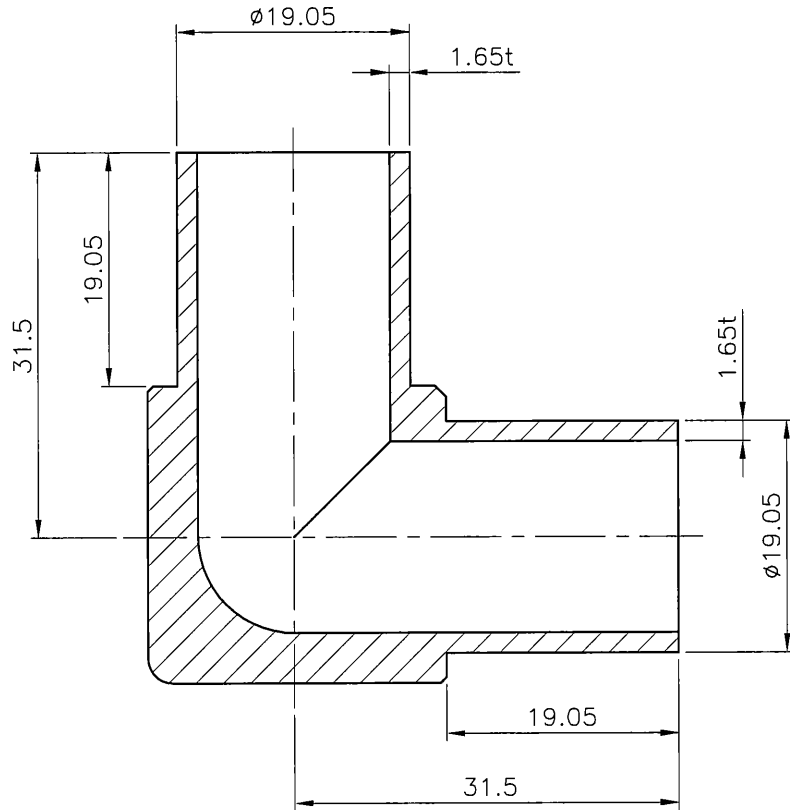
TKSCT corporation

TITLE TUBE BUTT WELD 3/4" LONG ELBOW (단조)			
DRAWN TKSCT 2007.02.08 이현용	CHECKED TKSCT 2007.02.08 이현용	CHECKED	APPR'D TKSCT 2007.02.08 김영호
UNIT mm	SCALE NONE	SIZE A4	
SHT. NO. 1 OF 1	DWG. NO. 12E19-APP	REV. 2	

"X" NUMBER			
---------------	--	--	--

REV. 1	DWG. NO. 12E19-APP
--------	--------------------

REV. LET.	REVISION RECORD	DATE	BY	CHECK'D	CHECK'D	APPR'D
△	ECN10-130 (승인도양식 변경)	'10.08.11	SY. J	HY. J		HW.



NOTE

1. 본 도면은 승인용 도면이다.

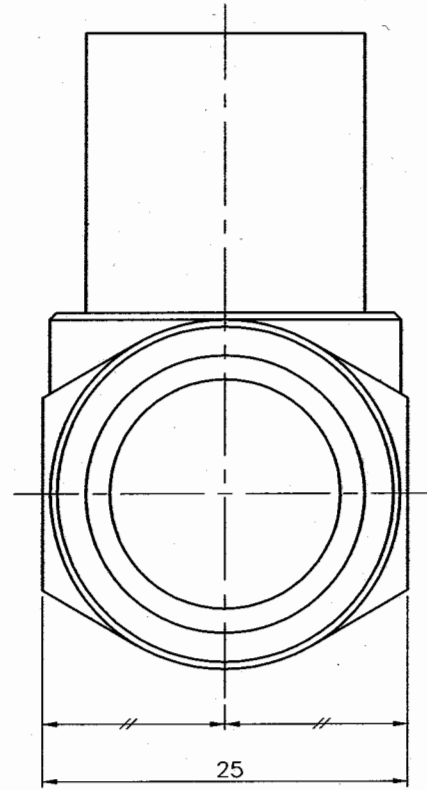
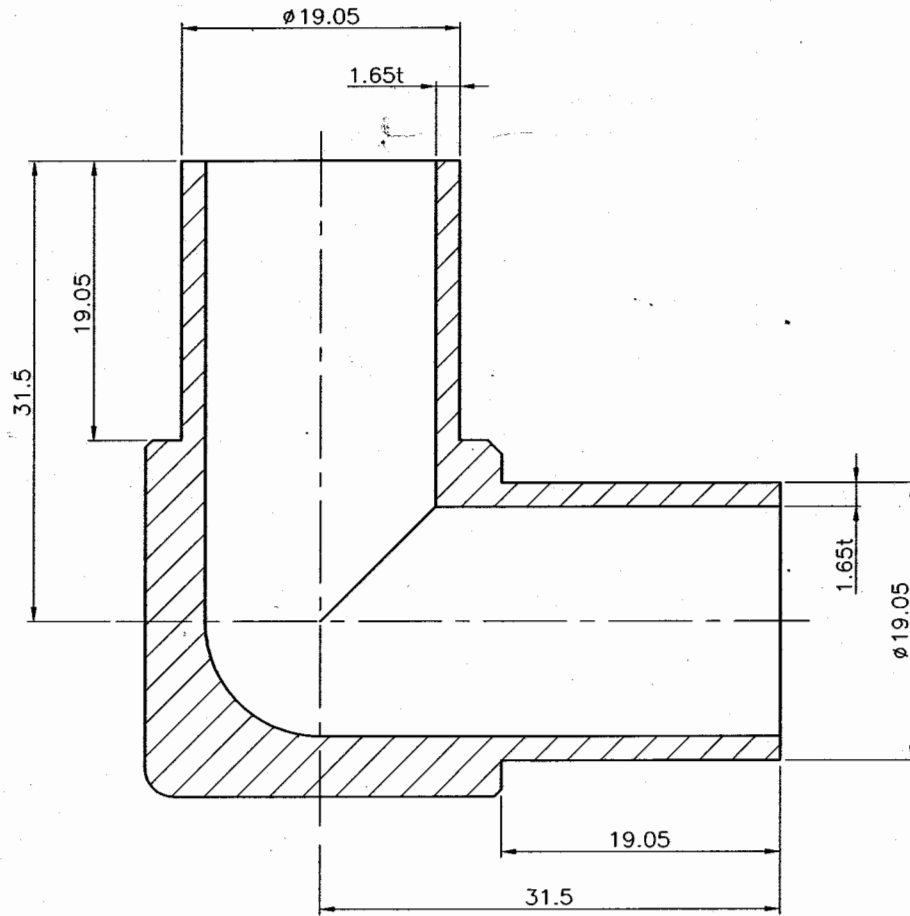
Check	Ordering Number	Body Material	Grade
	S12E19	SUS316L Single Melt	BA
	S12E19-P	SUS316L Single Melt	EP
	D12E19	SUS316L Double Melt	BA
	D12E19-P	SUS316L Double Melt	EP
	D12E19-PX	SUS316L Double Melt	EP

TKSCT corporation

TITLE TUBE BUTT WELD 3/4" LONG ELBOW (단조)			
DRAWN TKSCT 2007.02.08 이현용	CHECKED TKSCT 2007.02.08 이현용	CHECKED	APPR'D TKSCT 2007.02.08 김영호
UNIT mm	SCALE NONE	SIZE A4	
SHT. NO. 1 OF 1	DWG. NO. 12E19-APP	REV. △	

"X" NUMBER	
------------	--

REV. LET.	REVISION RECORD	DATE	BY	CHECK'D
△	FIRST ISSUE	'06.03.15	이현용	



NOTE
1.본 도면은 승인용 도면이다.

DET. NO.	NO. REQ'D	NAME	SIZE	MAT'L
TK corporation				
TITLE TUBE BUTT WELD 3/4" LONG ELBOW(단조)				
DRAWN SCT사업부 2007.2.08 이현용	CHECKED SCT사업부 2007.2.08 이현용	CHECKED	SCALE NONE	APP'D SCT사업부 2007.2.08 김영호
SHT. NO.	OF	DWG. NO.	SCALE	REV.
		12E19-APP		△