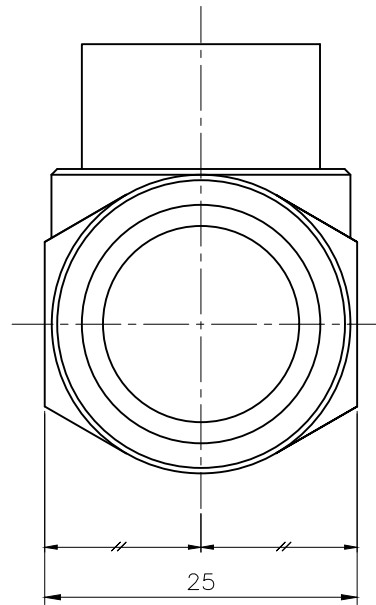
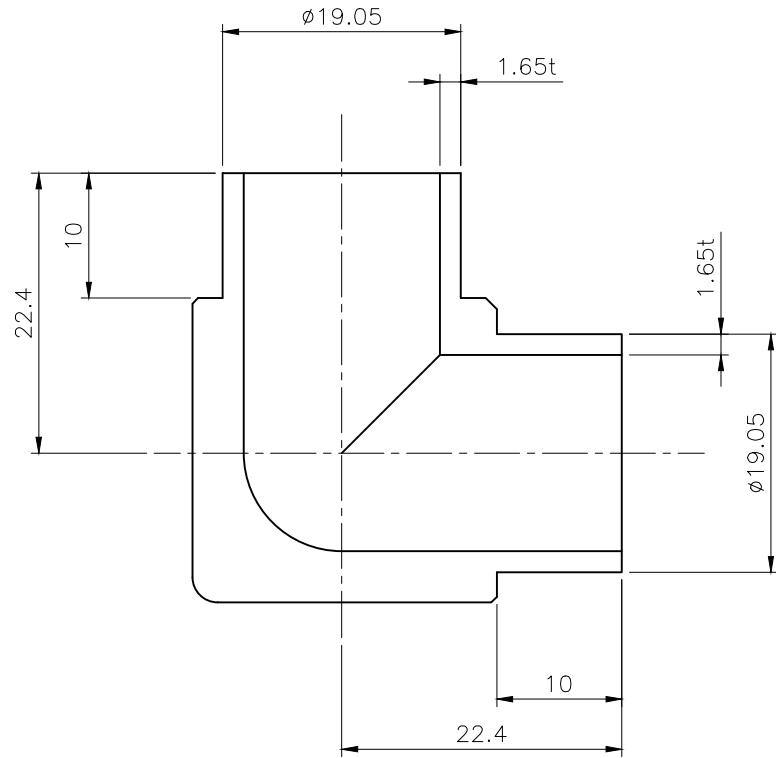


REV. LET.	REVISION RECORD	DATE	BY	CHECK'D	CHECK'D	APPR'D
△						
0	FIRST ISSUE	2018-03-09	D.H.Kim	H.J.Kim	H.J.Jeong	Y.K.Kim



Check	Ordering Number	Body Material	Grade
	S12E10	316L Stainless Steel	BA
	S12E10-P	316L Stainless Steel	EP
	D12E10	316L VAR Stainless Steel	BA
	D12E10-PX	316L VAR Stainless Steel	PX

TK-FUJIKIN CORPORATION

TITLE			
TUBE BUTT WELD 3/4" SHORT ELBOW (단조)			
DRAWN 2018-03-09 김다현	CHECKED 2018-03-09 김현진	CHECKED 2018-03-09 정환조	APPR'D 2018-03-09 김용기
UNIT mm	TEM. SCALE 0.6	SCALE NONE	SIZE A4
SHT. NO. 1 OF 1	DWG. NO. 12E10-APP	REV. 0	

"X"
NUMBER