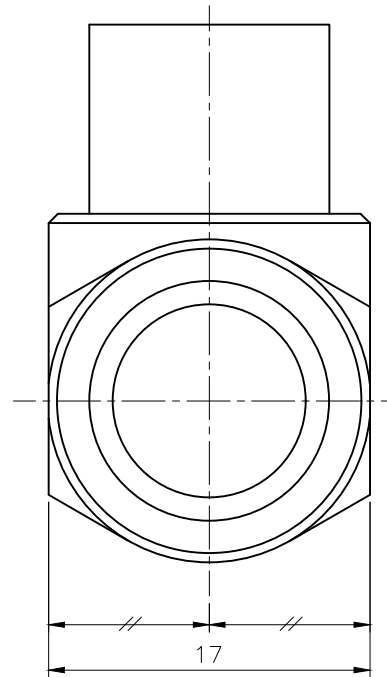
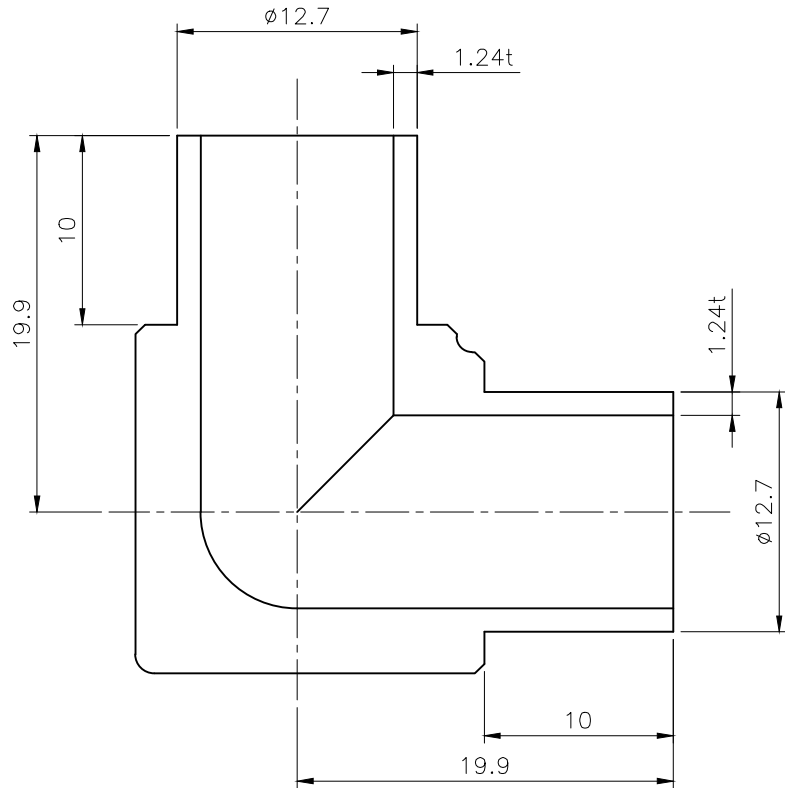


REV. LET.	REVISION RECORD	DATE	BY	CHECK'D	CHECK'D	APPR'D
△						
0	FIRST ISSUE	2021-12-08	J.D.Cho	J.Y.Kim		Y.K.Kim



Check	Ordering Number	Body Material	Grade
	S8E10	316L Stainless Steel	BA
	S8E10-P	316L Stainless Steel	EP
	D8E10	316L Stainless Steel Remelted	BA
	D8E10-PX	316L Stainless Steel Remelted	PX

TK-FUJIKIN CORPORATION

TITLE
TUBE BUTT WELD
1/2" SHORT ELBOW(단조)

DRAWN	CHECKED	CHECKED	APPR'D
연구개발부 2021-12-08 조재덕	연구개발부 2021-12-08 김재영		연구개발부 2021-12-08 김용기

UNIT	TEM. SCALE	SCALE	SIZE
mm	0.4	NONE	A4

SHT. NO.	DWG. NO.	REV.
1 OF 1	8E10-APP	0

"X"
NUMBER