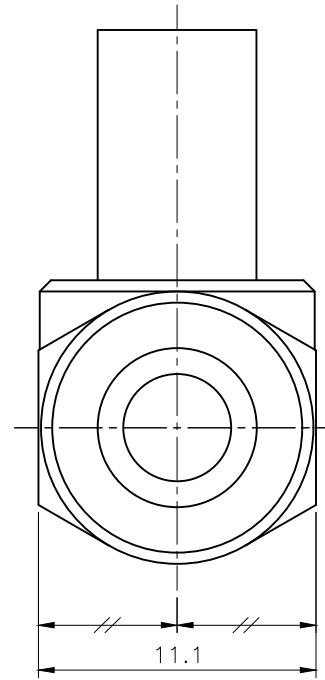
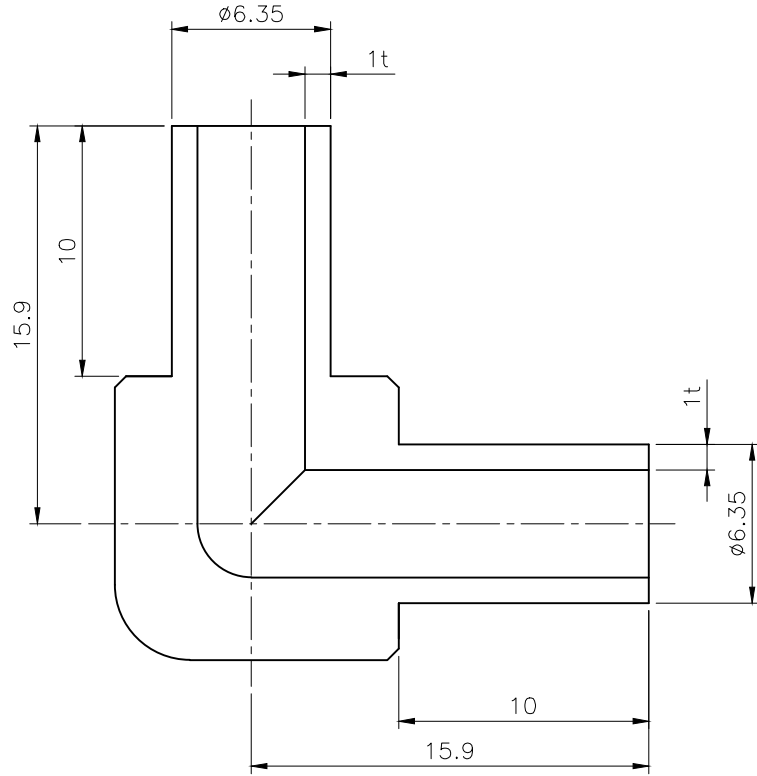


REV. LET.	REVISION RECORD	DATE	BY	CHECK'D	CHECK'D	APPR'D
△						
0	FIRST ISSUE	2020-11-25	J.D.Cho	J.Y.Kim		Y.K.Kim



Check	Ordering Number	Body Material	Grade
	S4E10	316L Stainless Steel	BA
	S4E10-P	316L Stainless Steel	EP
	D4E10	316L VAR Stainless Steel	BA
	D4E10-PX	316L VAR Stainless Steel	PX

TK-FUJIKIN CORPORATION

TITLE TUBE BUTT WELD 1/4" SHORT ELBOW(단조)			
DRAWN 연구개발부 2020-11-25 조재덕	CHECKED 연구개발부 2020-11-25 김재영	CHECKED	APPR'D 연구개발부 2020-11-25 김용기
UNIT mm	TEMP. SCALE 0.3	SCALE NONE	SIZE A4
SHT. NO. 1 OF 1	DWG. NO. 4E10-APP	REV. 0	

"X"
NUMBER