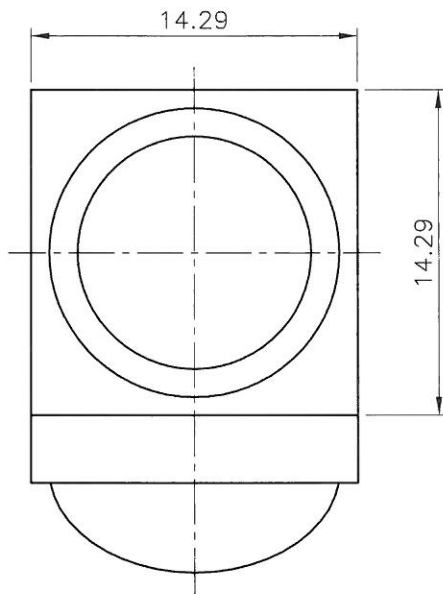
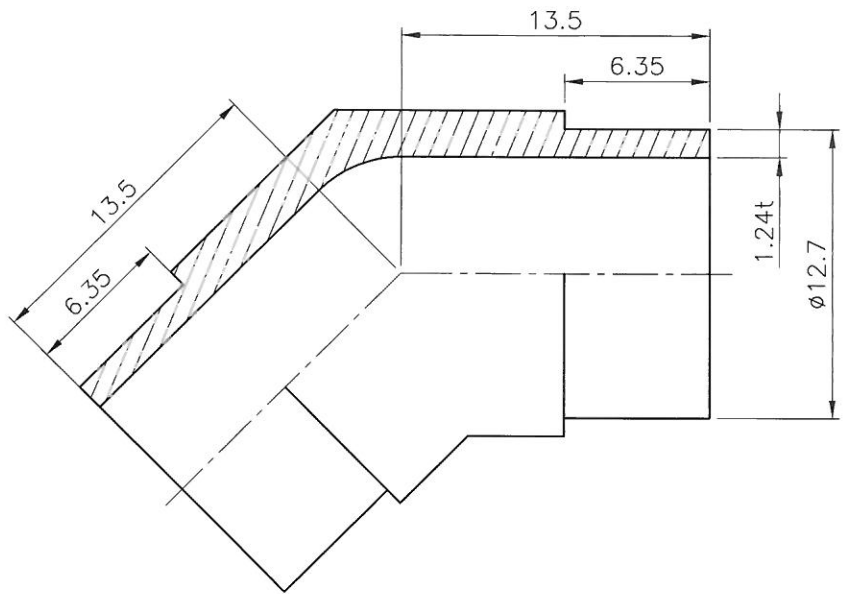


REV. LET.	REVISION RECORD	DATE	BY	CHECK'D	CHECK'D	APPR'D
△						



NOTE  
1. 본 도면은 승인용 도면이다.

Check	Ordering Number	Body Material	Grade
	S8HE6	SUS316L Single Melt	BA
	S8HE6-P	SUS316L Single Melt	EP
	D8HE6	SUS316L Double Melt	BA
	D8HE6-PX	SUS316L Double Melt	EP

**TK-FUJIKIN CORPORATION**

TITLE  
TUBE BUTT WELD  
1/2" MICRO 45° ELBOW

DRAWN 태광SCT 2014. 1. 29 정순용	CHECKED	CHECKED	APPR'D H. R. Jeong 2014. 01. 29
UNIT mm	SCALE NONE	SIZE A4	
SHT. NO. 1 OF 1	DWG. NO. 8HE6-APP	REV. 0	