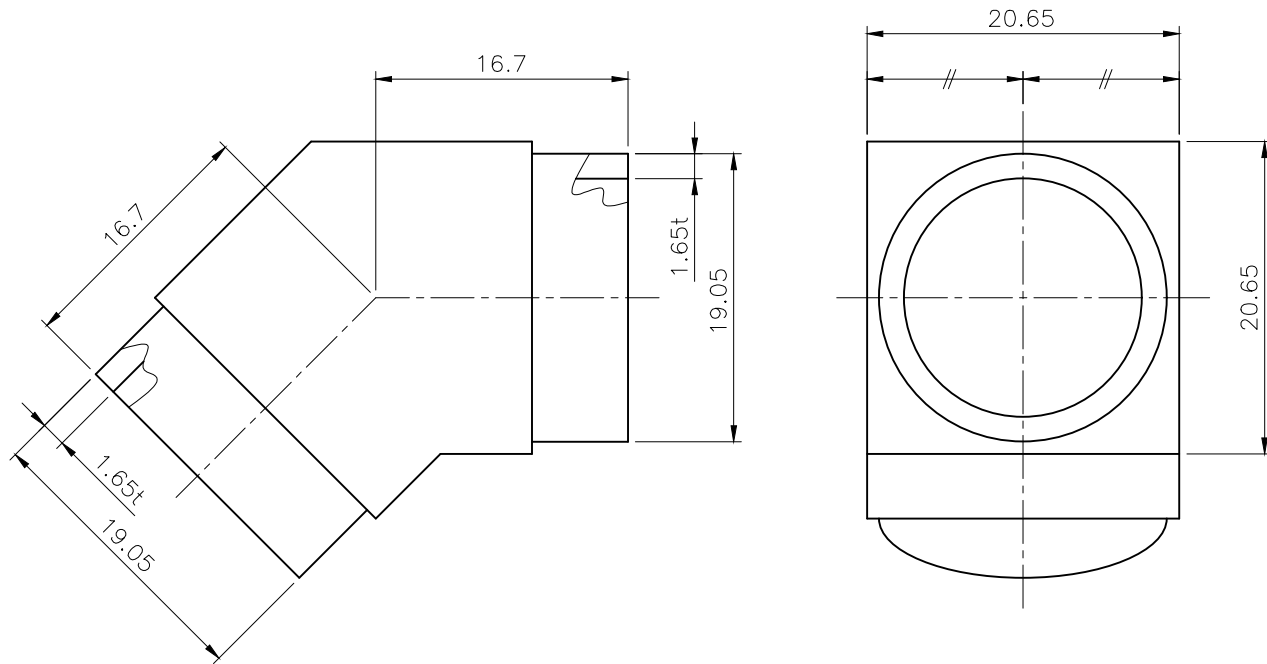


REV. LET.	REVISION RECORD	DATE	BY	CHECK'D	CHECK'D	APPR'D
△						
0	FIRST ISSUE	2021-12-08	J.D.Cho	J.Y.Kim		Y.K.Kim



Check	Ordering Number	Body Material	Grade
	S12HE6	316L Stainless Steel	BA
	S12HE6-P	316L Stainless Steel	EP
	D12HE6	316L Stainless Steel Remelted	BA
	D12HE6-PX	316L Stainless Steel Remelted	PX

TK-FUJIKIN CORPORATION

TITLE TUBE BUTT WELD 3/4" MICRO 45° ELBOW			
DRAWN 연구개발부 2021-12-08 조재덕	CHECKED 연구개발부 2021-12-08 김재영	CHECKED	APPR'D 연구개발부 2021-12-08 김용기
UNIT mm	TEM. SCALE 0.5	SCALE NONE	SIZE A4
SHT. NO. 1 OF 1	DWG. NO. 12HE6-APP		REV. 0

"X"
NUMBER