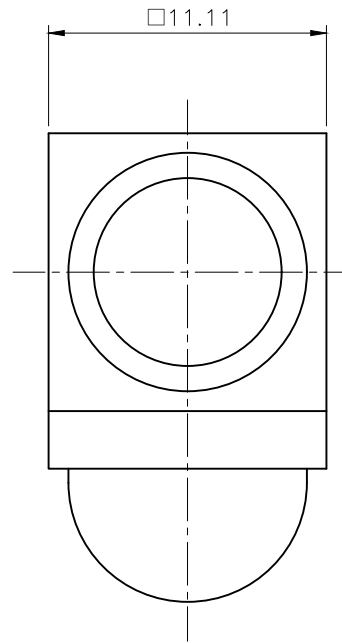
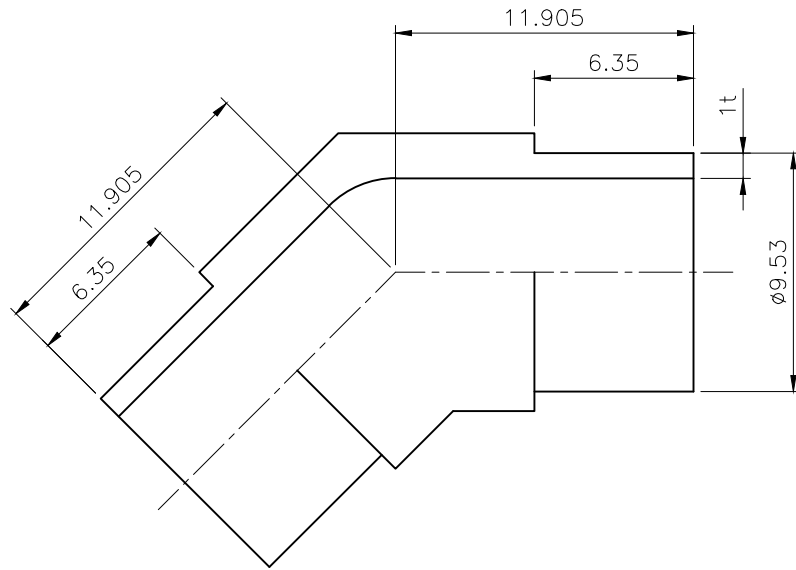


REV. LET.	REVISION RECORD	DATE	BY	CHECK'D	CHECK'D	APPR'D
△						
△0	FIRST ISSUE	2019-11-08	J.D.Cho	J.Y.Kim	H.J.Jeong	Y.K.Kim



Check	Ordering Number	Body Material	Grade
	S6HE6	316L Stainless Steel	BA
	S6HE6-P	316L Stainless Steel	EP
	D6HE6	316L VAR Stainless Steel	BA
	D6HE6-PX	316L VAR Stainless Steel	PX

**TK-FUJIKIN CORPORATION**

TITLE			
TUBE BUTT WELD 3/8" MICRO 45° ELBOW			
DRAWN 연구개발부 2019-11-08 조재덕	CHECKED 연구개발부 2019-11-08 김재영	CHECKED 연구개발부 2019-11-08 정한조	APPR'D 연구개발부 2019-11-08 김용기
UNIT mm	TEMP. SCALE 0.3	SCALE NONE	SIZE A4
SHT. NO. 1 OF 1	DWG. NO. 6HE6-APP		REV. △0

"X"  
NUMBER