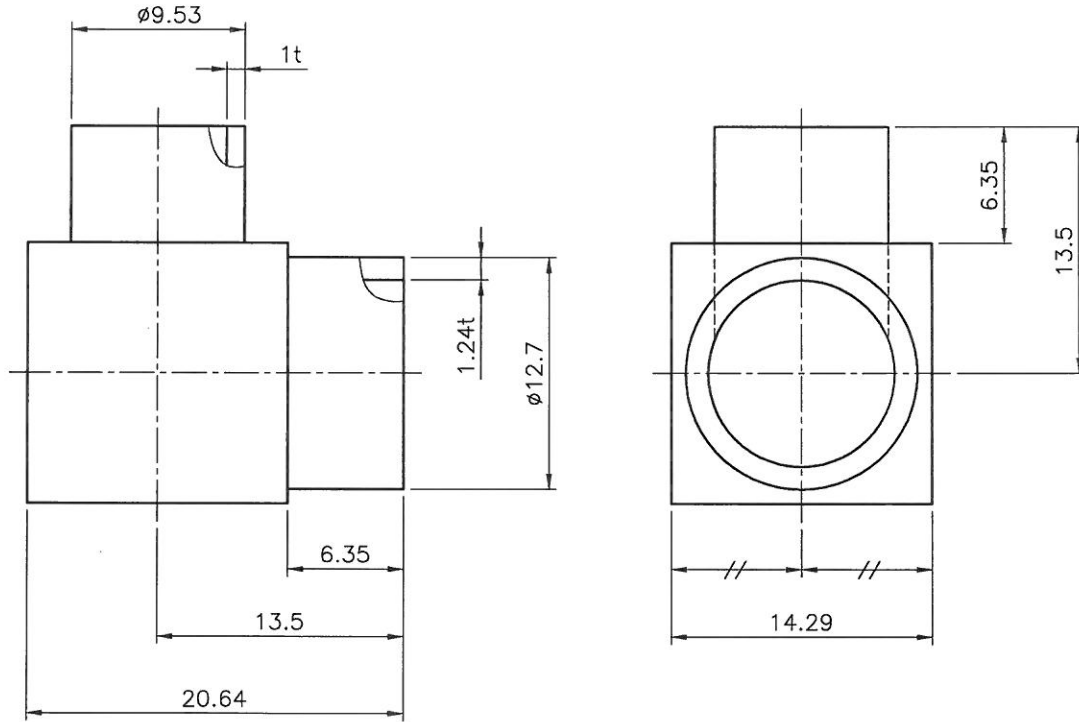


REV. LET.	REVISION RECORD	DATE	BY	CHECK'D	CHECK'D	APPR'D
△						



Check	Ordering Number	Body Material	Grade
	S8X6E6	316L Stainless Steel	BA
	S8X6E6-P	316L Stainless Steel	EP
	D8X6E6	316L VAR Stainless Steel	BA
	D8X6E6-PX	316L VAR Stainless Steel	PX

TK-FUJIKIN CORPORATION

TITLE
TUBE BUTT WELD
1/2"X3/8" MICRO REDUCING 90° ELBOW

DRAWN 2016.04.07 김현진	CHECKED	CHECKED	APPR'D 2016.04.07 정한조
UNIT mm	SCALE NONE	SIZE A4	
SHT. NO. OF	DWG. NO. 8X6E6-APP		REV.

"X" NUMBER