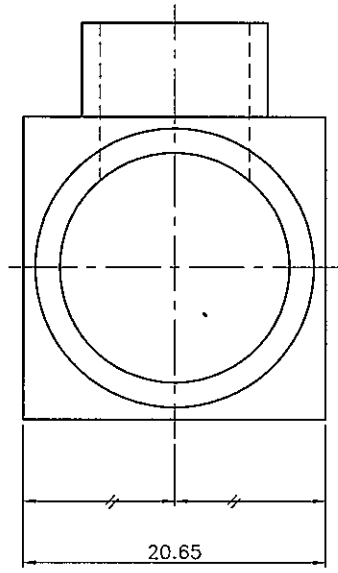
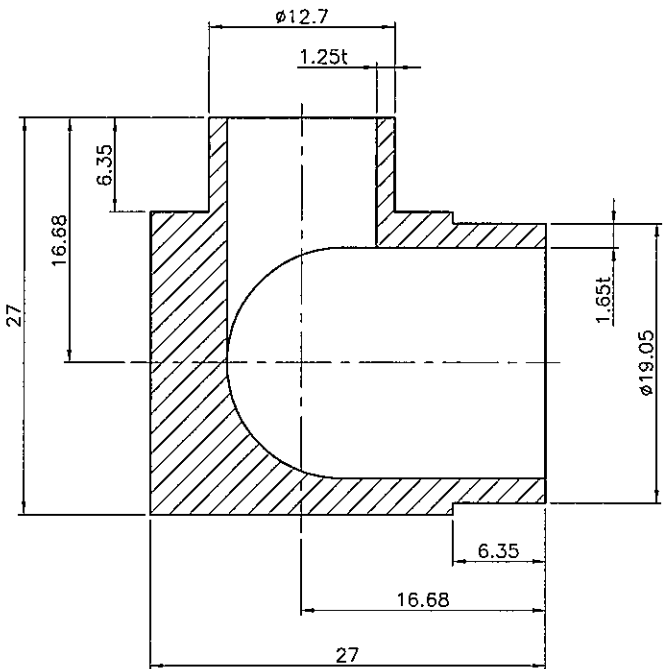


REV. 0 DWG. NO. 12X8E6-APP

REV. LET.	REVISION RECORD	DATE	BY	CHECK'D
0	FIRST ISSUE	'06.02.17	이현용	



NOTE
1. 본 도면은 승인용 이다.

DET. NO.	NO. REQ'D	NAME	SIZE	MAT'L
TK corporation				
TITLE 3/4"X1/2" MICRO REDUCING 90° ELBOW				
DRAWN <i>[Signature]</i> 06-02-17	CHECKED <i>[Signature]</i> 2006-02-17	CHECKED	APPR'D <i>[Signature]</i> 2006-2-17	
UNIT mm		SCALE NONE	SIZE A4	
SHT. NO. OF	DWG. NO. 12X8E6-APP			REV. 0