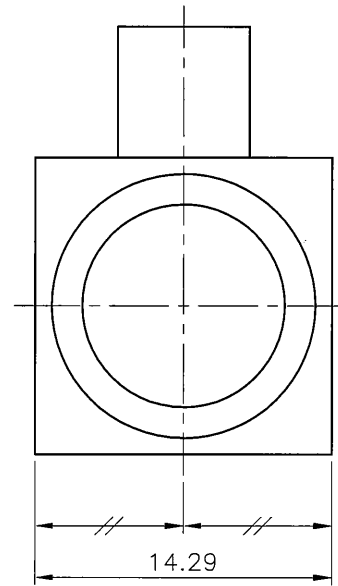
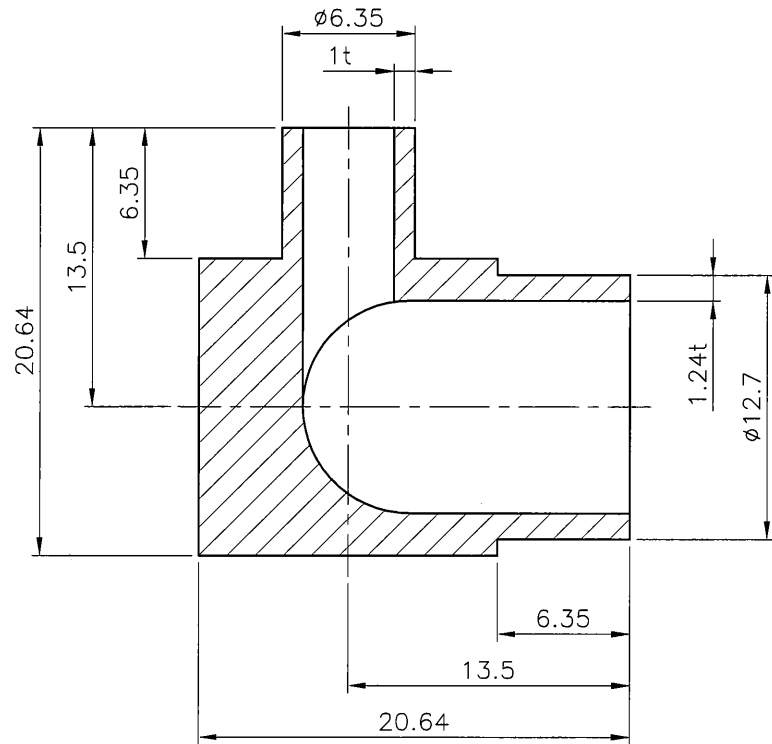


REV. 1
DWG. NO. 8X4E6-APP

REV. LET.	REVISION RECORD	DATE	BY	CHECK'D	CHECK'D	APPR'D
1	ECN11-190 (승인도양식 변경)	'11.12.21	SY.J	HY.J		



NOTE

1. 본 도면은 승인용 도면이다.

Check	Ordering Number	Body Material	Grade
	S8X4E6	SUS316L Single Melt	BA
	S8X4E6-P	SUS316L Single Melt	EP
	D8X4E6	SUS316L Double Melt	BA
	D8X4E6-PX	SUS316L Double Melt	EP

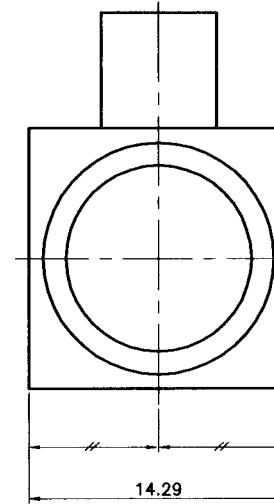
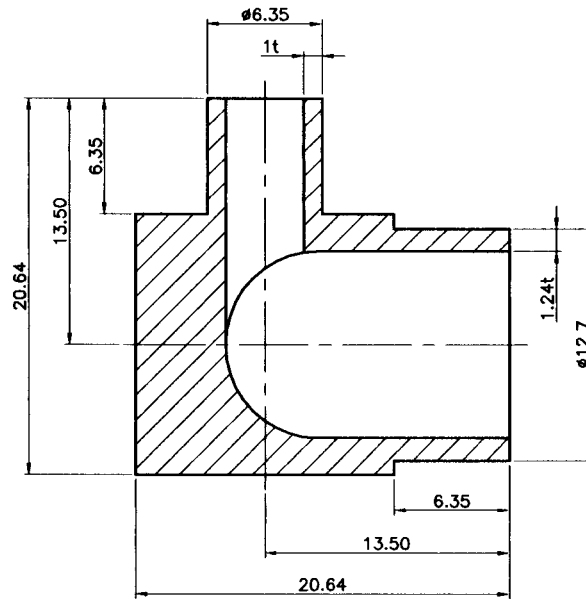
TKSCT corporation

TITLE TUBE BUTT WELD 1/2"X1/4" MICRO REDUCING 90° ELBOW			
DRAWN TKSCT 2008.03.04 이현용	CHECKED TKSCT 2008.03.04 이선웅	CHECKED	APPR'D TKSCT 2008.03.06 김홍수
UNIT mm	SCALE NONE	SIZE A4	
SHT. NO. 1 OF 1	DWG. NO. 8X4E6-APP	REV. 1	

"X" NUMBER	
---------------	--

REV. 0 DWG. NO. 8x4E6-APP

REV. LET.	REVISION RECORD	DATE	BY	CHECK'D
0	FIRST ISSUE	'08.03.04	H.Y.LEE	



NOTE
1. This Drawing Needs to be approved

DET. NO.	NO. REQ'D	NAME	SIZE	MAT'L
TKSCT corporation				
TITLE 1/2"x1/4" MICRO REDUCING 90' ELBOW				
DRAWN	CHECKED	CHECKED	APPR'D <i>H.Y.Lee</i> 2008-3-6	
UNIT mm		SCALE NONE	SIZE A4	
SHT. NO.	OF	DWG. NO.	REV.	
		8x4E6-APP	0	