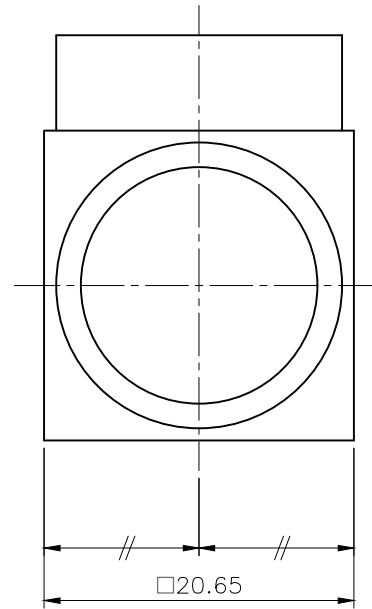
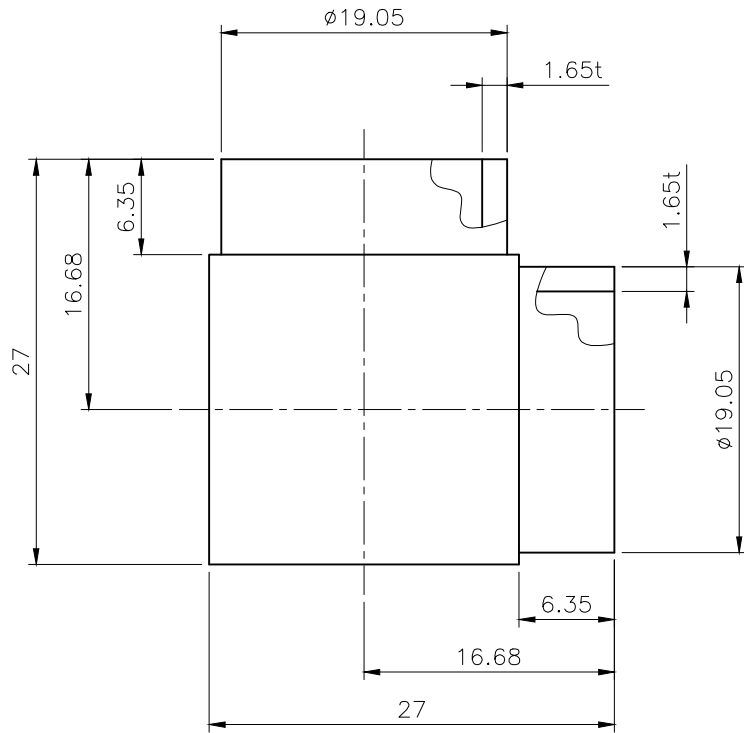


REV. LET.	REVISION RECORD	DATE	BY	CHECK'D	CHECK'D	APPR'D
△0	FIRST ISSUE	2008-03-06	H.Y.Lee	S.Y.Lee		H.S.Kim
△1	신규 도면양식 적용	2018-06-26	D.H.Kim	Y.S.Sin	H.J.Jeong	Y.K.Kim



Check	Ordering Number	Body Material	Grade
	S12E6	316L Stainless Steel	BA
	S12E6-P	316L Stainless Steel	EP
	D12E6	316L VAR Stainless Steel	BA
	D12E6-PX	316L VAR Stainless Steel	PX

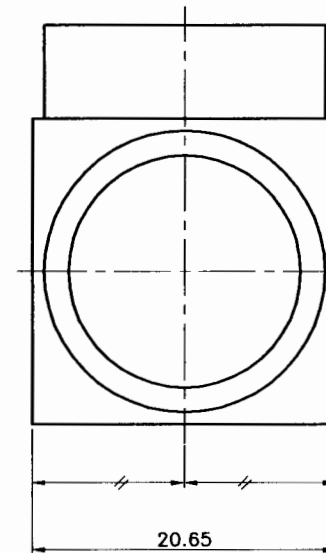
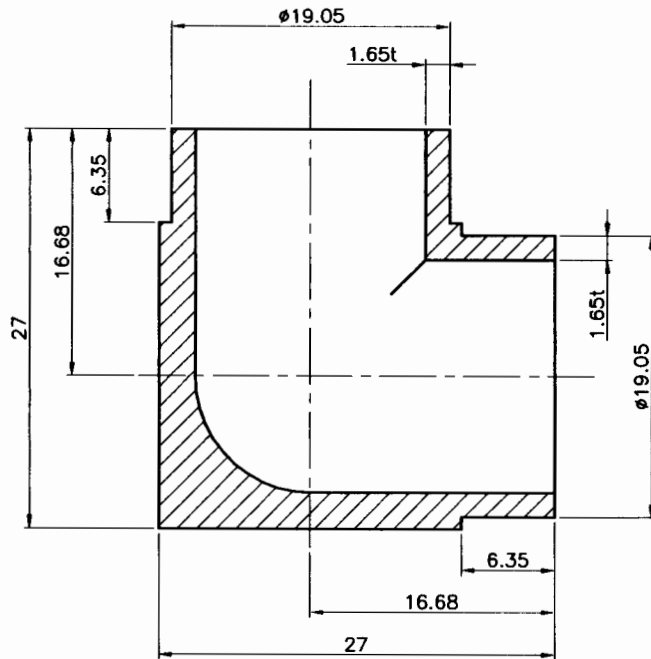
TK-FUJIKIN CORPORATION

TITLE				TUBE BUTT WELD 3/4" MICRO 90° ELBOW			
DRAWN	2008-03-04 이현웅	CHECKED	2008-03-05 이선웅	CHECKED		APPR'D	2008-03-06 김홍수
UNIT	mm	TEM. SCALE	0.5	SCALE	NONE	SIZE	A4
SHT. NO.	1 OF 1		DWG. NO.	12E6-APP		REV.	1

"X"
NUMBER

REV. 0 DWG. NO. 12E6-APP

REV. LET.	REVISION RECORD	DATE	BY	CHECK'D
0	FIRST ISSUE	'08.03.04	H.Y.LEE	



NOTE
1. This Drawing Needs to be approved

DET. NO.	NO. REQ'D	NAME	SIZE	MAT'L
TKSCT corporation				
TITLE Micro 3/4" 90' ELBOW				
DRAWN	CHECKED	CHECKED	APPR'D	
			<i>H.Y. Lee</i> 2008-3-6	
	UNIT	SCALE	SIZE	
	mm	NONE	A4	
SHT. NO.	OF	DWG. NO.		REV.
		12E6-APP		0