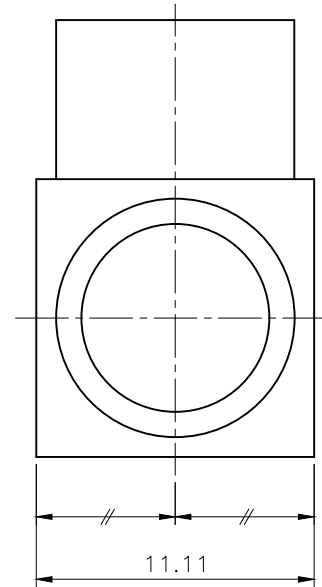
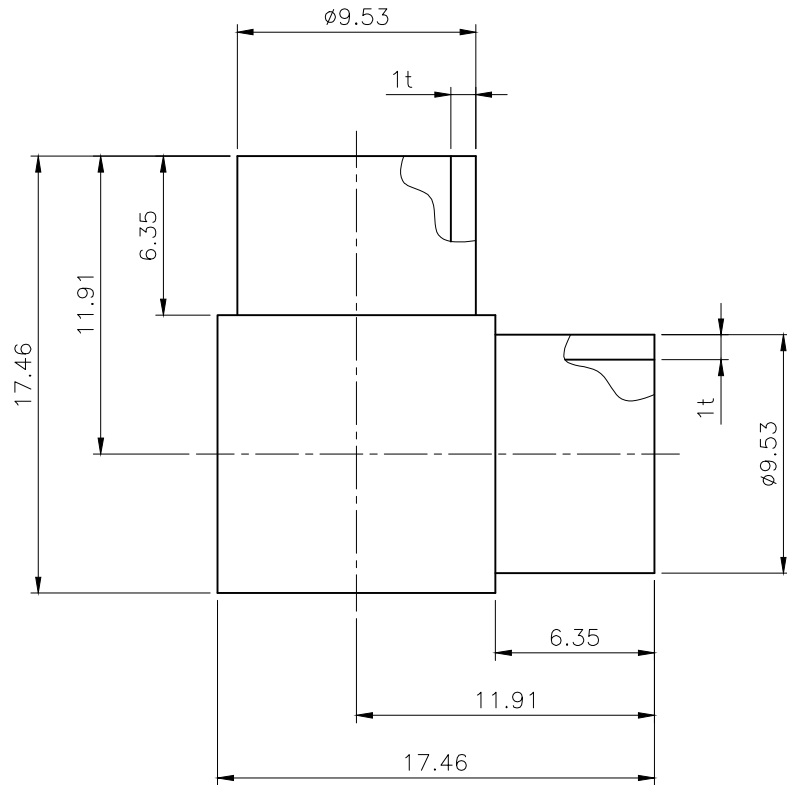


REV. LET.	REVISION RECORD	DATE	BY	CHECK'D	CHECK'D	APPR'D
△0	FIRST ISSUE	2006-04-11	H.Y.Lee	S.R.Lee		H.S.Kim
△1	신규도면 양식 적용	2018-05-25	D.H.Kim	Y.S.Sin	H.J.Jeong	Y.K.Kim



Check	Ordering Number	Body Material	Grade
	S6E6	316L Stainless Steel	BA
	S6E6-P	316L Stainless Steel	EP
	D6E6	316L VAR Stainless Steel	BA
	D6E6-PX	316L VAR Stainless Steel	PX

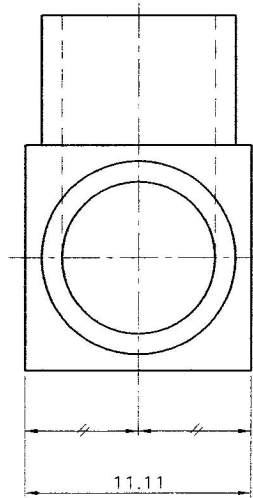
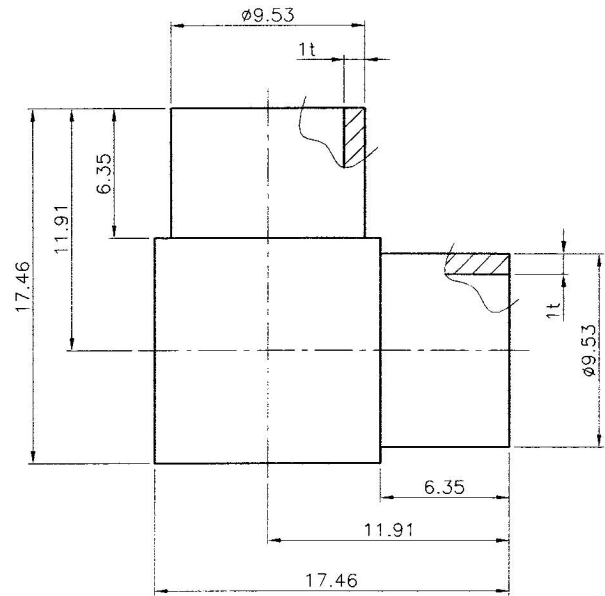
TK-FUJIKIN CORPORATION

TITLE			
TUBE BUTT WELD 3/8" MICRO 90° ELBOW			
DRAWN 연구개발부 이현용 2006-04-11	CHECKED 연구개발부 이선룡 2006-04-11	CHECKED	APPR'D 연구개발부 김홍수 2006-04-11
UNIT mm	TEMP. SCALE 0.3	SCALE NONE	SIZE A4
SHT. NO. 1 OF 1	DWG. NO. 6E6-APP	REV. △1	

"X"
NUMBER

REV. NO. **ddv-939** ON. DWG

REV. LET.	REVISION RECORD	DATE	BY	CHECK'D
△	FIRST ISSUE	'06.04.10	H.Y.LEE	



NOTE
1. THIS DRAWING IS APPROVAL A DRAWING

DET. NO.	NO. REQ'D	NAME	SIZE	MAT'L
TK corporation				
TITLE 3/8" MICRO 90' ELBOW				
DRAWN <i>[Signature]</i> 06.04.11	CHECKED <i>[Signature]</i> 06.04.11	CHECKED	APPR'D <i>[Signature]</i> 06.04.11	
UNIT: m.m		SCALE: NONE	SIZE: A4	
SHT. NO. OF	DWG. NO. 6E6-APP		REV.	△