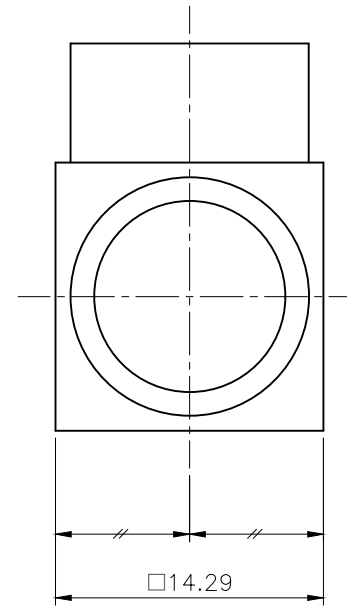
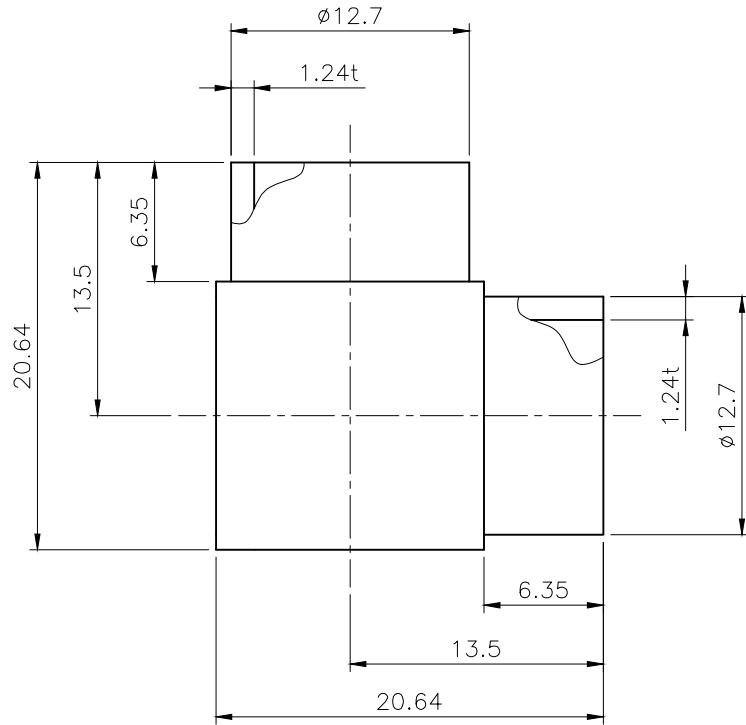


REV. LET.	REVISION RECORD	DATE	BY	CHECK'D	CHECK'D	APPR'D
2	ECN10-141 (Ordering No. 변경)	2010-08-17	S.Y.Jeong	H.Y.Jeong	H.N.Kim	H.H
3	신규 도면양식 적용	2018-06-26	D.H.Kim	Y.S.Sin	H.J.Jeong	Y.K.Kim



Check	Ordering Number	Body Material	Grade
	S8E6	316L Stainless Steel	BA
	S8E6-P	316L Stainless Steel	EP
	D8E6	316L VAR Stainless Steel	BA
	D8E6-PX	316L VAR Stainless Steel	PX

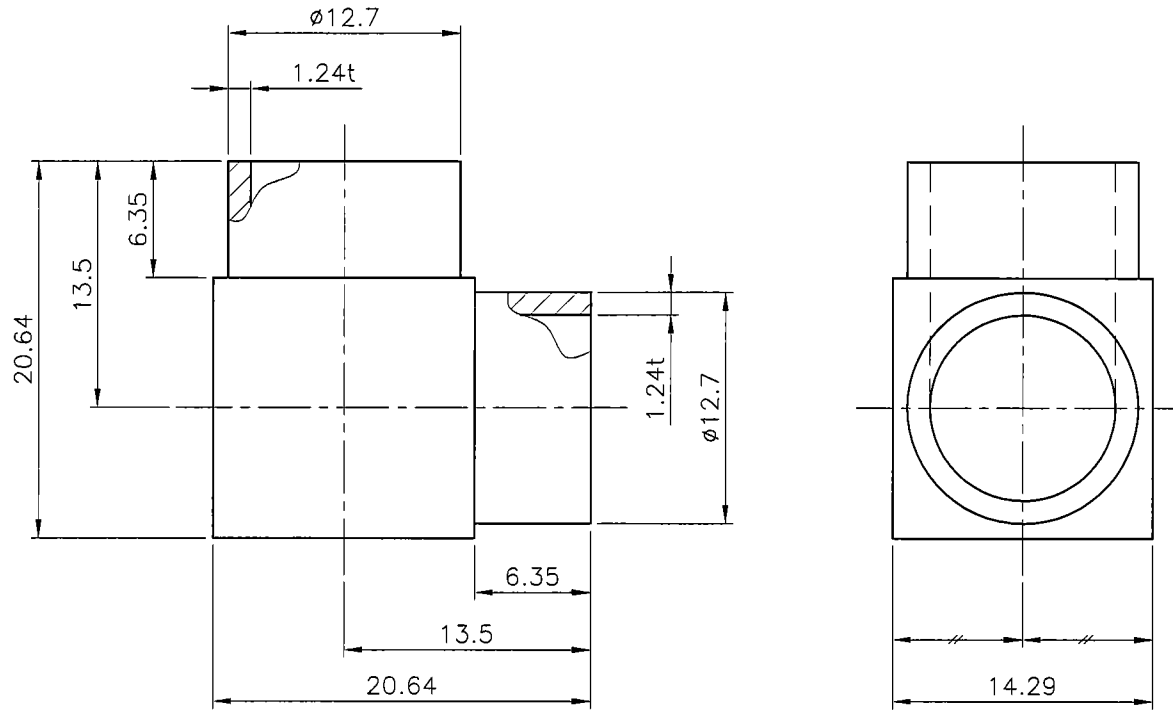
TK-FUJIKIN CORPORATION

TITLE				TUBE BUTT WELD 1/2" MICRO 90° ELBOW				
DRAWN	연구개발부	CHECKED	연구개발부	CHECKED		APPR'D	연구개발부	
	2007-02-08		2007-02-08				2007-02-08	
	이현웅		이선용				김영호	
	UNIT	mm	TEM. SCALE	0.4	SCALE	NONE	SIZE	A4
SHT. NO.	1 OF 1		DWG. NO.	8E6-APP			REV.	3

"X"
NUMBER

REV. 2 DWG. NO. 8E6-APP

REV. LET.	REVISION RECORD	DATE	BY	CHECK'D	CHECK'D	APPR'D
①	ECN10-130 (승인도양식 변경)	'10.08.11	SY.J	HY.J		H.H
②	ECN10-141 (Ordering No. 변경)	'10.08.17	SY.J	HY.J		김영호



NOTE

1. 본 도면은 승인용 도면이다.

Check	Ordering Number	Body Material	Grade
	S8E6	SUS316L Single Melt	BA
	S8E6-P	SUS316L Single Melt	EP
	D8E6	SUS316L Double Melt	BA
	D8E6-PX	SUS316L Double Melt	EP

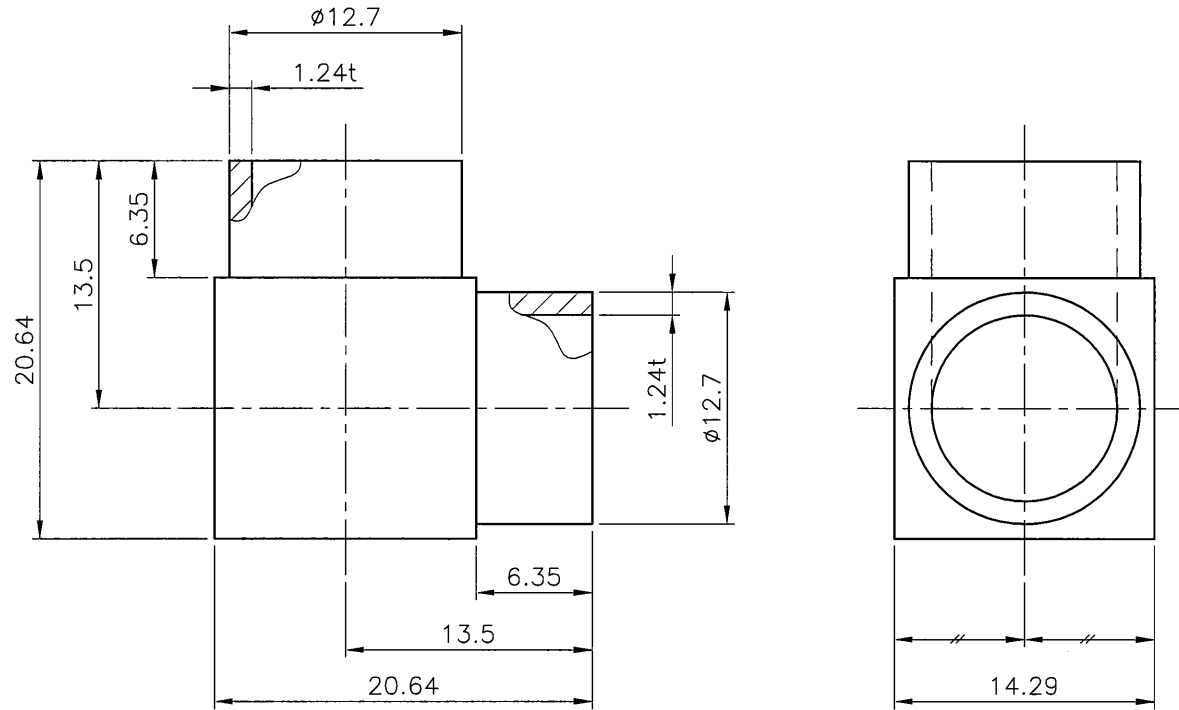
TKSCT corporation

TITLE TUBE BUTT WELD 1/2" MICRO 90° ELBOW			
DRAWN TKSCT 2007.02.08 이현용	CHECKED TKSCT 2007.02.08 이현용	CHECKED	APPR'D TKSCT 2007.02.08 김영호
UNIT mm	SCALE NONE	SIZE A4	
SHT. NO. 1 OF 1	DWG. NO. 8E6-APP	REV. ②	

"X"
NUMBER

REV.	DWG. NO.
8E6-APP	

REV. LET.	REVISION RECORD	DATE	BY	CHECK'D	CHECK'D	APPR'D
1	ECN10-130 (승인도양식 변경)	'10.08.11	S.Y.J	HY.J		



NOTE
1. 본 도면은 승인용 도면이다.

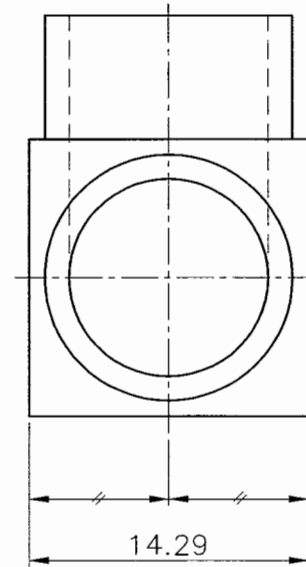
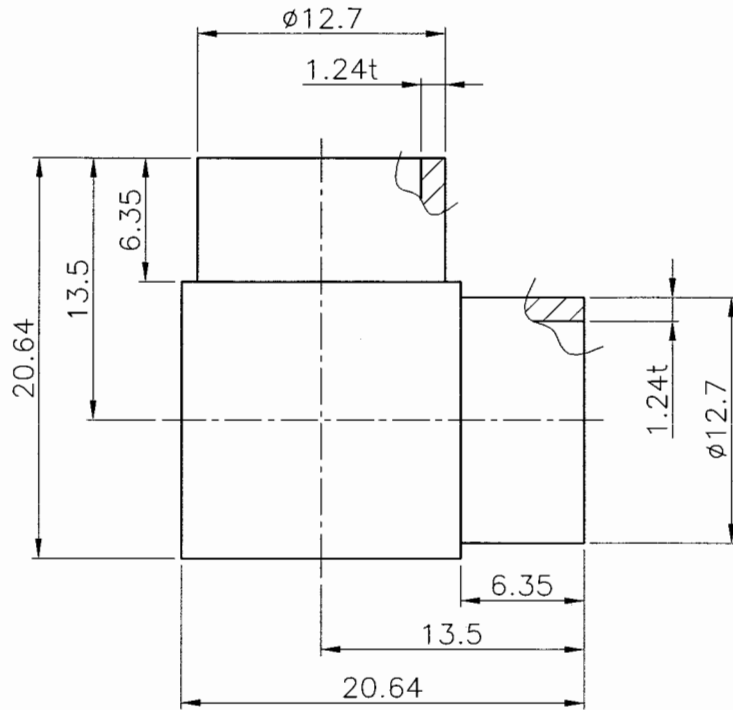
Check	Ordering Number	Body Material	Grade
	S8E6	SUS316L Single Melt	BA
	S8E6-P	SUS316L Single Melt	EP
	D8E6	SUS316L Double Melt	BA
	D8E6-P	SUS316L Double Melt	EP
	D8E6-PX	SUS316L Double Melt	EP

TKSCT corporation			
TITLE TUBE BUTT WELD 1/2" MICRO 90° ELBOW			
DRAWN TKSCT 2007.02.08 이현용	CHECKED TKSCT 2007.02.08 이현용	CHECKED	APPR'D TKSCT 2007.02.08 김명호
UNIT mm	SCALE NONE	SIZE A4	
SHT. NO. 1 OF 1	DWG. NO. 8E6-APP	REV. 1	

"X" NUMBER			
---------------	--	--	--

REV. 0 DWG. NO. BE6-APP

REV. LET.	REVISION RECORD	DATE	BY	CHECK'D
△ 0	FIRST ISSUE	'06.05.15	이현용	



NOTE
1. 본 도면은 승인용 도면이다.

DET. NO.	NO. REQ'D	NAME	SIZE	MAT'L
TK corporation				
TITLE 1/2" MICRO 90' ELBOW				
DRAWN 2007.2.08 이현용	CHECKED 2007.2.08 이현용	CHECKED	APPROVED 2007.2.08 이현용	
UNIT m.m		SCALE NONE	SIZE A4	
SHT. NO.	OF	DWG. NO.	REV.	
		BE6-APP	△ 0	